

AUTO
RESTAR

PWM

FG

RD
SIGNAL H

RD
SIGNAL L

DC AXIAL FAN

□ 120x120x38 mm

GW12038
Series



Impeller : 7 blades, made of plastic PBT UL94 V-0

扇叶: 7叶, PBT塑料制, 阻燃等级UL94 V-0

Frame : Made of plastic PBT UL94 V-0

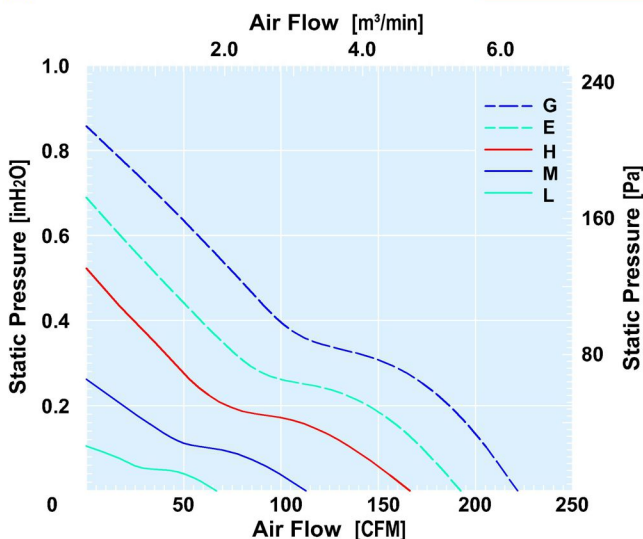
扇框: PBT塑料制, 阻燃等级UL94 V-0

Motor : 4 poles brushless DC motor

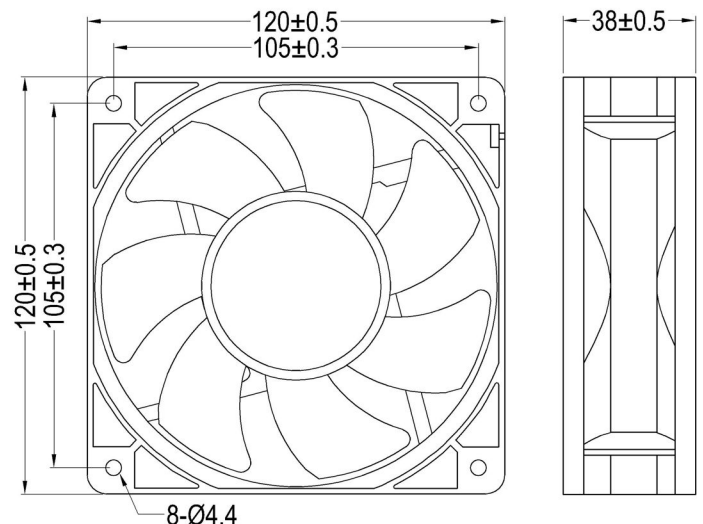
电机: 4极无刷直流电机

Model (型号)	Bearing System (轴承)	Rated Voltage (电压) [V]	Voltage Range (电压范围) [V]	Current (电流) [A]	Speed (转速) [RPM]	Maximum Air Flow (风量) [CFM]	Maximum Air Flow (风量) [m³/min]	Max. Static Pressure (静压) [inH ₂ O]	Max. Static Pressure (静压) [Pa]	Niose Level (噪音) [dB-A]	Mass (质量) [g]
GW1203805L	B/S	5	3.6~6.8	0.28	1500	67.17	1.9	0.106	26.4	36.5	292
GW1203812L	B/S	12	6.0~13.5	0.13	1500	67.17	1.9	0.106	26.4	36.5	292
GW1203824L	B/S	24	18.0~26.5	0.09	1500	67.17	1.9	0.106	26.4	36.5	292
GW1203812M	B/S	12	6.0~13.5	0.66	2500	113.5	3.21	0.262	65.2	48.3	295
GW1203824M	B/S	24	18.0~26.5	0.34	2500	113.5	3.21	0.262	65.2	48.3	295
GW1203848M	B/S	48	36.0~54.0	0.18	2500	113.5	3.21	0.262	65.2	48.3	295
GW1203812H	B/S	12	6.0~13.5	1.10	3500	166.68	4.72	0.523	130.2	55.5	300
GW1203824H	B/S	24	18.0~26.5	0.65	3500	166.68	4.72	0.523	130.2	55.5	300
GW1203848H	B/S	48	36.0~54.0	0.36	3500	166.68	4.72	0.523	130.2	55.5	300
GW1203812E	B/S	12	6.0~13.5	1.72	4000	192.85	5.46	0.69	171.8	61.0	303
GW1203824E	B/S	24	18.0~26.5	0.85	4000	192.85	5.46	0.69	171.8	61.0	303
GW1203848E	B/S	48	36.0~54.0	0.45	4000	192.85	5.46	0.69	171.8	61.0	303
GW1203812G	B/S	12	6.0~13.5	2.46	4500	221.63	6.27	0.858	213.6	63.2	305
GW1203824G	B/S	24	18.0~26.5	1.28	4500	221.63	6.27	0.858	213.6	63.2	305
GW1203848G	B/S	48	36.0~54.0	0.63	4500	221.63	6.27	0.858	213.6	63.2	305

Air Flow & Static Pressure Curve



Dimensions Drawing



Above specification is only for reference and subject to change without notice.

以上数据仅供参考, 如有变更恕不另行通知。