

GW12032 DC AXIAL FAN

增压型 Series 120x120x32 mm

- AUTO (RESTAR)
- PWM
- FG
- RD SIGNAL H
- RD SIGNAL L



Impeller : 9 blades, made of plastic PBT UL94 V-0

扇叶: 9叶, PBT塑料制, 阻燃等级UL94 V-0

Frame : Made of plastic PBT UL94 V-0

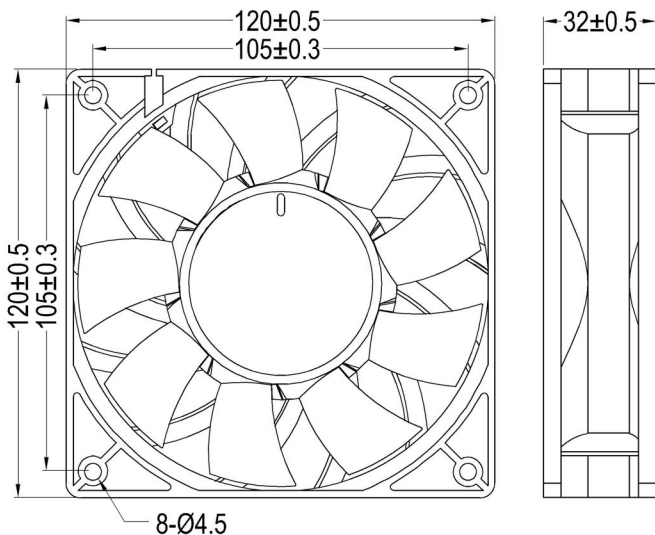
扇框: PBT塑料制, 阻燃等级UL94 V-0

Motor : 4 poles brushless DC motor

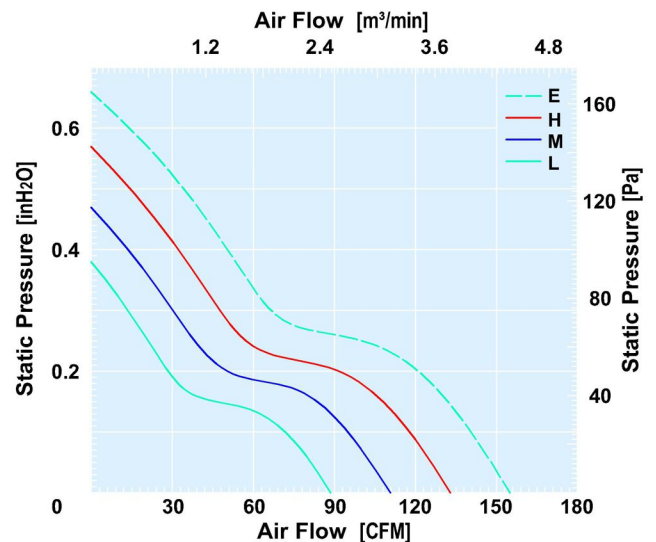
電機: 4极无刷直流電機

Model (型号)	Bearing System (轴承)	Rated Voltage (电压) [V]	Voltage Range (电压范围) [V]	Current (电流) [A]	Speed (转速) [RPM]	Maximum Air Flow (风量) [CFM]	Maximum Air Flow (风量) [m³/min]	Max. Static Pressure (静压) [inHzO]	Max. Static Pressure (静压) [Pa]	Niose Level (噪音) [dB-A]	Mass (质量) [g]
GW1203212L	B/S	12	6.0~13.5	0.27	2000	88.64	2.51	0.38	94.6	33.0	255
GW1203224L	B/S	24	18.0~26.5	0.13	2000	88.64	2.51	0.38	94.6	33.0	255
GW1203248L	B/S	48	36.0~54.0	0.06	2000	88.64	2.51	0.38	94.6	33.0	255
GW1203212M	B/S	12	6.0~13.5	0.55	2500	110.84	3.14	0.47	117.0	39.8	258
GW1203224M	B/S	24	18.0~26.5	0.26	2500	110.84	3.14	0.47	117.0	39.8	258
GW1203248M	B/S	48	36.0~54.0	0.12	2500	110.84	3.14	0.47	117.0	39.8	258
GW1203212H	B/S	12	6.0~13.5	1.15	3000	133.0	3.77	0.57	141.9	44.5	260
GW1203224H	B/S	24	18.0~26.5	0.55	3000	133.0	3.77	0.57	141.9	44.5	260
GW1203248H	B/S	48	36.0~54.0	0.26	3000	133.0	3.77	0.57	141.9	44.5	260
GW1203212E	B/S	12	6.0~13.5	2.04	3500	155.13	4.40	0.66	164.3	49.0	262
GW1203224E	B/S	24	18.0~26.5	0.97	3500	155.13	4.40	0.66	164.3	49.0	262
GW1203248E	B/S	48	36.0~54.0	0.46	3500	155.13	4.40	0.66	164.3	49.0	262

Dimensions Drawing



Air Flow & Static Pressure Curve



Above specification is only for reference and subject to change without notice.
以上数据仅供参考, 如有变更恕不另行通知。