



DC AXIAL FAN

□ 120x120x25 mm

GW12025 Series



Impeller : 7 blades, made of plastic PBT UL94 V-0

扇叶: 7叶, PBT塑料制, 阻燃等级UL94 V-0

Frame : Made of plastic PBT UL94 V-0

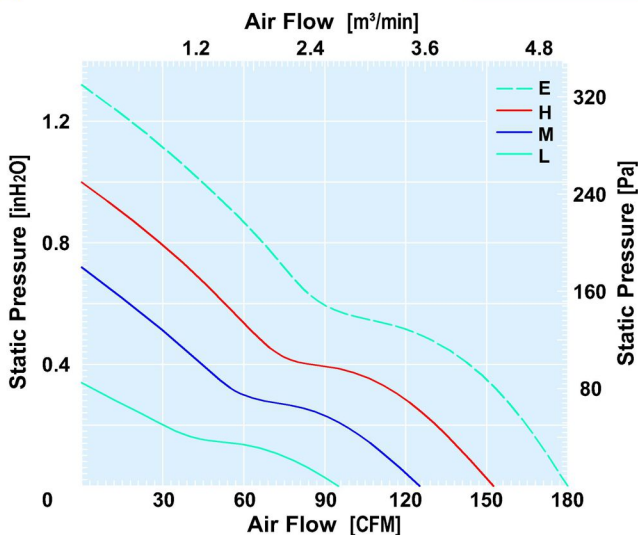
扇框: PBT塑料制, 阻燃等级UL94 V-0

Motor : 4 poles brushless DC motor

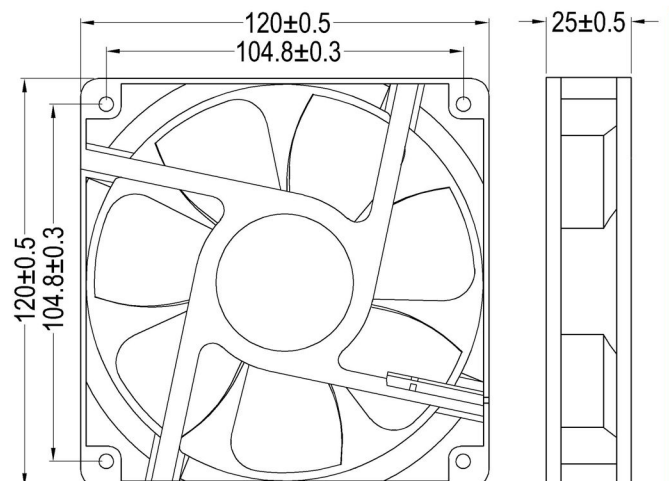
电机: 4极无刷直流电机

Model (型号)	Bearing System (轴承)	Rated Voltage (电压) [V]	Voltage Range (电压范围) [V]	Current (电流) [A]	Speed (转速) [RPM]	Maximum Air Flow (风量) [CFM]	Maximum Air Flow (风量) [m³/min]	Max. Static Pressure (静压) [inH ₂ O]	Max. Static Pressure (静压) [Pa]	Niose Level (噪音) [dB-A]	Mass (质量) [g]
GW1202512L	B/S	12	6.0~13.5	0.55	3500	95.34	2.70	0.34	84.7	41.8	165
GW1202524L	B/S	24	18.0~26.5	0.35	3500	95.34	2.70	0.34	84.7	41.8	165
GW1202548L	B/S	48	36.0~54.0	0.15	3500	95.34	2.70	0.34	84.7	41.8	165
GW1202512M	B/S	12	6.0~13.5	0.85	4500	125.2	3.55	0.72	179.3	49.0	168
GW1202524M	B/S	24	18.0~26.5	0.43	4500	125.2	3.55	0.72	179.3	49.0	168
GW1202548M	B/S	48	36.0~54.0	0.21	4500	125.2	3.55	0.72	179.3	49.0	168
GW1202512H	B/S	12	6.0~13.5	1.31	5500	152.4	4.31	1.01	251.5	57.0	170
GW1202524H	B/S	24	18.0~26.5	0.66	5500	152.4	4.31	1.01	251.5	57.0	170
GW1202548H	B/S	48	36.0~54.0	0.34	5500	152.4	4.31	1.01	251.5	57.0	170
GW1202512E	B/S	12	6.0~13.5	2.05	6500	180.2	5.10	1.32	328.7	63.0	173
GW1202524E	B/S	24	18.0~26.5	1.0	6500	180.2	5.10	1.32	328.7	63.0	173
GW1202548E	B/S	48	36.0~54.0	0.55	6500	180.2	5.10	1.32	328.7	63.0	173

Air Flow & Static Pressure Curve



Dimensions Drawing



Above specification is only for reference and subject to change without notice.

以上数据仅供参考, 如有变更恕不另行通知。