

GW12025 DC AXIAL FAN Series

120x120x25 mm

- AUTO (RESTAR)
- PWM
- FG
- RD SIGNAL H
- RD SIGNAL L



Impeller : 7 blades, made of plastic PBT UL94 V-0

扇 叶: 7叶, PBT塑料制, 阻燃等级UL94 V-0

Frame : Made of plastic PBT UL94 V-0

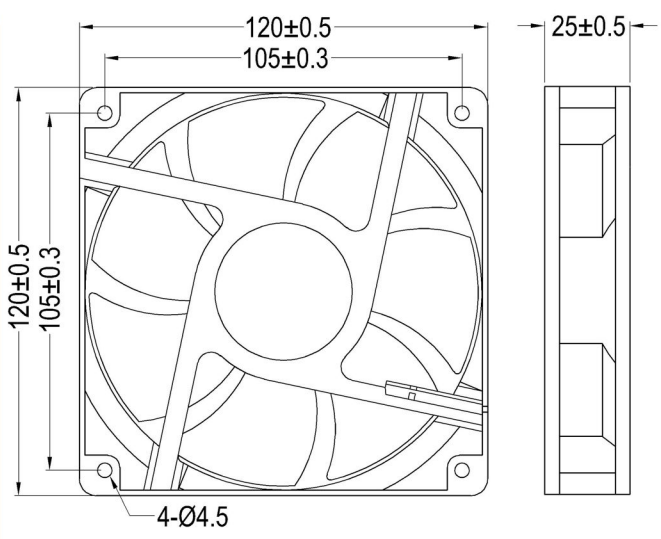
扇 框: PBT塑料制, 阻燃等级UL94 V-0

Motor : 4 poles brushless DC motor

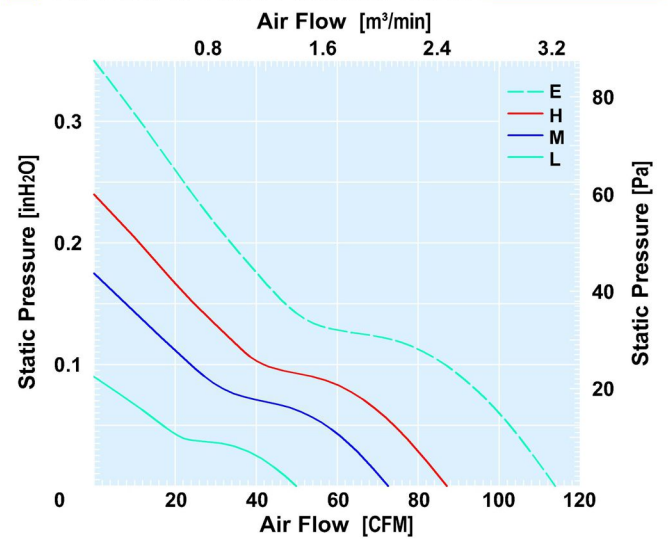
電 機: 4极无刷直流電機

Model (型号)	Bearing System (轴承)	Rated Voltage (电压) [V]	Voltage Range (电压范围) [V]	Current (电流) [A]	Speed (转速) [RPM]	Maximum Air Flow (风量) [CFM]	Maximum Air Flow (风量) [m³/min]	Max. Static Pressure (静压) [inH ₂ O]	Max. Static Pressure (静压) [Pa]	Niose Level (噪音) [dB-A]	Mass (质量) [g]
GW1202505L	B/S	5	3.6~6.8	0.25	1800	49.43	1.40	0.09	22.4	28.6	138
GW1202512L	B/S	12	6.0~13.5	0.11	1800	49.43	1.40	0.09	22.4	28.6	138
GW1202524L	B/S	24	18.0~26.5	0.06	1800	49.43	1.40	0.09	22.4	28.6	138
GW1202512M	B/S	12	6.0~13.5	0.20	2700	73.45	2.08	0.18	44.8	36.8	140
GW1202524M	B/S	24	18.0~26.5	0.13	2700	73.45	2.08	0.18	44.8	36.8	140
GW1202512H	B/S	12	6.0~13.5	0.45	3200	87.11	2.46	0.24	59.8	42.7	143
GW1202524H	B/S	24	18.0~26.5	0.25	3200	87.11	2.46	0.24	59.8	42.7	143
GW1202512E	B/S	12	6.0~13.5	0.65	4000	113.9	3.22	0.35	87.15	49.5	145
GW1202524E	B/S	24	18.0~26.5	0.35	4000	113.9	3.22	0.35	87.15	49.5	145

Dimensions Drawing



Air Flow & Static Pressure Curve



Above specification is only for reference and subject to change without notice.
以上数据仅供参考, 如有变更恕不另行通知。