

AUTO
RESTAR

PWM

FG

RD
SIGNAL H

RD
SIGNAL L

DC AXIAL FAN

□ 80 x 80 x 25 mm

GW8025
Series



Impeller : 7 blades, made of plastic PBT UL94 V-0

扇 叶: 7叶, PBT塑料制, 阻燃等级UL94 V-0

Frame : Made of plastic PBT UL94 V-0

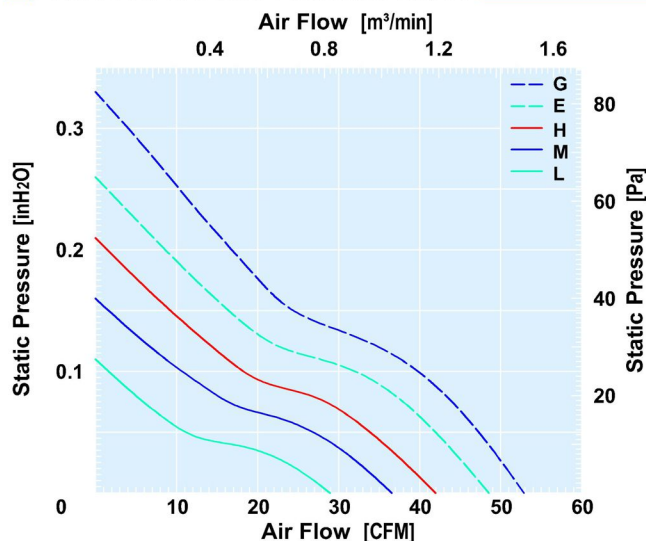
扇 框: PBT塑料制, 阻燃等级UL94 V-0

Motor : 4 poles brushless DC motor

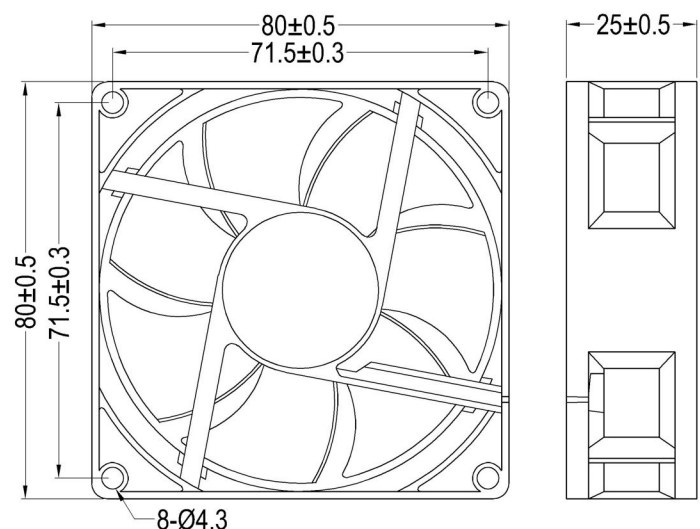
電 機: 4极无刷直流电机

Model (型号)	Bearing System (轴承)	Rated Voltage (电压) [V]	Voltage Range (电压范围) [V]	Current (电流) [A]	Speed (转速) [RPM]	Maximum Air Flow (风量) [CFM]	Maximum Air Flow (风量) [m³/min]	Max. Static Pressure (静压) [inH ₂ O]	Max. Static Pressure (静压) [Pa]	Niose Level (噪音) [dB-A]	Mass (质量) [g]
GW802512L	B/S	12	6.0~13.5	0.11	2500	28.91	0.82	0.11	27.4	28.3	65
GW802524L	B/S	24	18.0~26.5	0.07	2500	28.91	0.82	0.11	27.4	28.3	65
GW802512M	B/S	12	6.0~13.5	0.20	3000	36.63	1.04	0.16	39.8	35.2	68
GW802524M	B/S	24	18.0~26.5	0.11	3000	36.63	1.04	0.16	39.8	35.2	68
GW802512H	B/S	12	6.0~13.5	0.23	3500	40.5	1.15	0.21	52.3	37.5	70
GW802524H	B/S	24	18.0~26.5	0.13	3500	40.5	1.15	0.21	52.3	37.5	70
GW802548H	B/S	48	36.0~54.0	0.06	3500	40.5	1.15	0.21	52.3	37.5	70
GW802512E	B/S	12	6.0~13.5	0.33	4000	48.7	1.38	0.26	64.7	42.8	72
GW802524E	B/S	24	18.0~26.5	0.16	4000	48.7	1.38	0.26	64.7	42.8	72
GW802548E	B/S	48	36.0~54.0	0.09	4000	48.7	1.38	0.26	64.7	42.8	72
GW802524G	B/S	24	18.0~26.5	0.23	4500	52.91	1.51	0.33	82.2	49.0	75
GW802548G	B/S	48	36.0~54.0	0.10	4500	52.91	1.51	0.33	82.2	49.0	75

Air Flow & Static Pressure Curve



Dimensions Drawing



Above specification is only for reference and subject to change without notice.

以上数据仅供参考, 如有变更恕不另行通知。