

GW8020 DC AXIAL FAN Series

80 x 80 x 20 mm

- AUTO (RESTAR)
- PWM
- FG
- RD SIGNAL H
- RD SIGNAL L



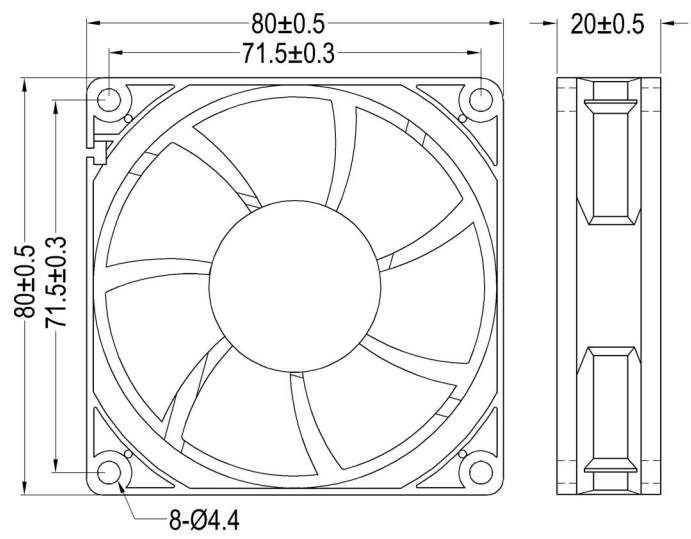
Impeller : 7 blades, made of plastic PBT UL94 V-0
 扇 叶: 7叶, PBT塑料制, 阻燃等级UL94 V-0

Frame : Made of plastic PBT UL94 V-0
 扇 框: PBT塑料制, 阻燃等级UL94 V-0

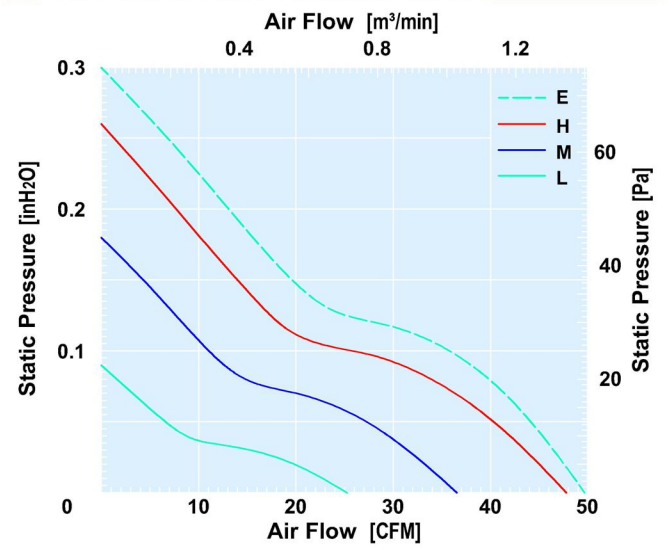
Motor : 4 poles brushless DC motor
 電 機: 4极无刷直流電機

Model (型号)	Bearing System (轴承)	Rated Voltage (电压) [V]	Voltage Range (电压范围) [V]	Current (电流) [A]	Speed (转速) [RPM]	Maximum Air Flow (风量) [CFM]	Maximum Air Flow (风量) [m³/min]	Max. Static Pressure (静压) [inH ₂ O]	Max. Static Pressure (静压) [Pa]	Niose Level (噪音) [dB-A]	Mass (质量) [g]
GW802012L	B/S	12	6.0~13.5	0.11	2600	25.3	0.71	0.09	22.4	29.8	55
GW802024L	B/S	24	18.0~26.5	0.07	2600	25.3	0.71	0.09	22.4	29.8	55
GW802012M	B/S	12	6.0~13.5	0.19	3400	36.64	1.04	0.18	44.8	36.0	58
GW802024M	B/S	24	18.0~26.5	0.12	3400	36.64	1.04	0.18	44.8	36.0	58
GW802012H	B/S	12	6.0~13.5	0.33	4600	47.8	1.35	0.26	64.7	41.5	60
GW802024H	B/S	24	18.0~26.5	0.19	4600	47.8	1.35	0.26	64.7	41.5	60
GW802048H	B/S	48	36.0~54.0	0.08	4600	47.8	1.35	0.26	64.7	41.5	60
GW802024E	B/S	24	18.0~26.5	0.24	5000	49.7	1.41	0.30	74.7	43.6	62
GW802048E	B/S	48	36.0~54.0	0.12	5000	49.7	1.41	0.30	74.7	43.6	62

Dimensions Drawing



Air Flow & Static Pressure Curve



Above specification is only for reference and subject to change without notice.
 以上数据仅供参考, 如有变更恕不另行通知。