



DC AXIAL FAN

□ 80 x 80 x 15 mm

GW8015 Series



Impeller : 9 blades, made of plastic PBT UL94 V-0

扇叶: 9叶, PBT塑料制, 阻燃等级UL94 V-0

Frame : Made of plastic PBT UL94 V-0

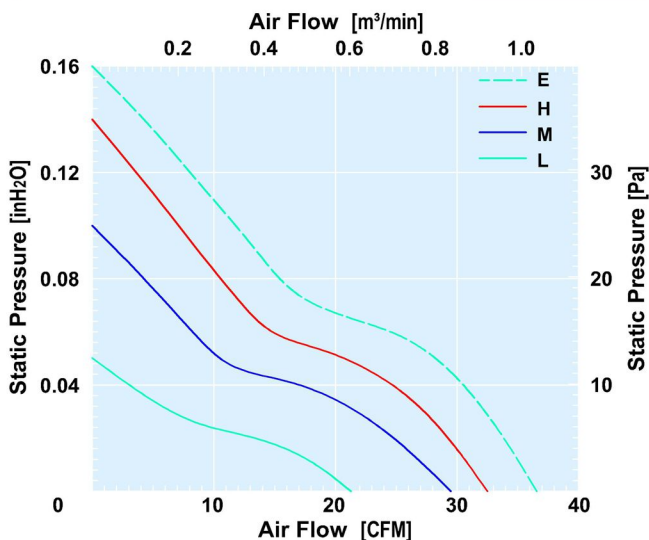
扇框: PBT塑料制, 阻燃等级UL94 V-0

Motor : 4 poles brushless DC motor

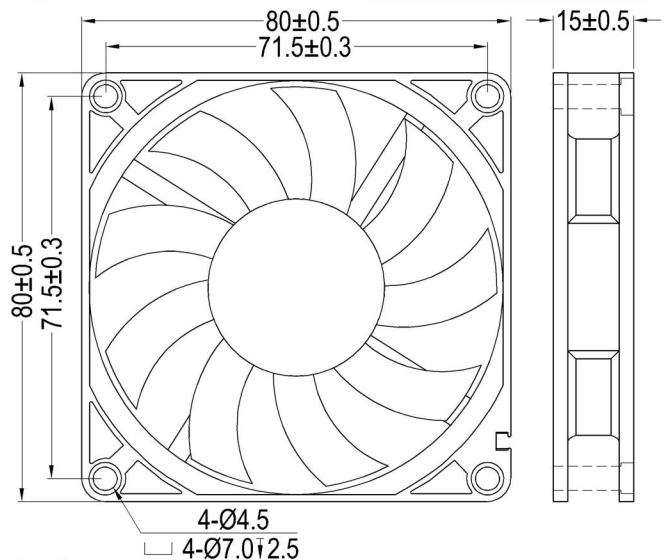
电机: 4极无刷直流电机

Model (型号)	Bearing System (轴承)	Rated Voltage (电压) [V]	Voltage Range (电压范围) [V]	Current (电流) [A]	Speed (转速) [RPM]	Maximum Air Flow (风量) [CFM]	Maximum Air Flow (风量) [m³/min]	Max. Static Pressure (静压) [inH ₂ O]	Max. Static Pressure (静压) [Pa]	Niose Level (噪音) [dB-A]	Mass (质量) [g]
GW801505L	B/S	5	3.6~6.8	0.24	2000	21.26	0.61	0.05	12.45	34.0	45
GW801512L	B/S	12	6.0~13.5	0.10	2000	21.26	0.61	0.05	12.45	34.0	45
GW801512M	B/S	12	6.0~13.5	0.13	2500	29.51	0.83	0.10	24.9	37.8	46.5
GW801524M	B/S	24	18.0~26.5	0.08	2500	29.51	0.83	0.10	24.9	37.8	46.5
GW801512H	B/S	12	6.0~13.5	0.21	3000	32.51	0.92	0.14	34.9	42.0	48
GW801524H	B/S	24	18.0~26.5	0.10	3000	32.51	0.92	0.14	34.9	42.0	48
GW801512E	B/S	12	6.0~13.5	0.30	3500	36.65	1.04	0.16	39.8	45.6	49
GW801524E	B/S	24	18.0~26.5	0.18	3500	36.65	1.04	0.16	39.8	45.6	49

Air Flow & Static Pressure Curve



Dimensions Drawing



Above specification is only for reference and subject to change without notice.

以上数据仅供参考, 如有变更恕不另行通知。