



AIR SPACE

直流軸流風扇

www.pudaelec.com

GW8010 DC AXIAL FAN Series

80 x 80 x 10 mm

- AUTO (RESTAR)
- PWM
- FG
- RD SIGNAL H
- RD SIGNAL L



Impeller : 11 blades, made of plastic PBT UL94 V-0

扇叶: 11叶, PBT塑料制, 阻燃等级UL94 V-0

Frame : Made of plastic PBT UL94 V-0

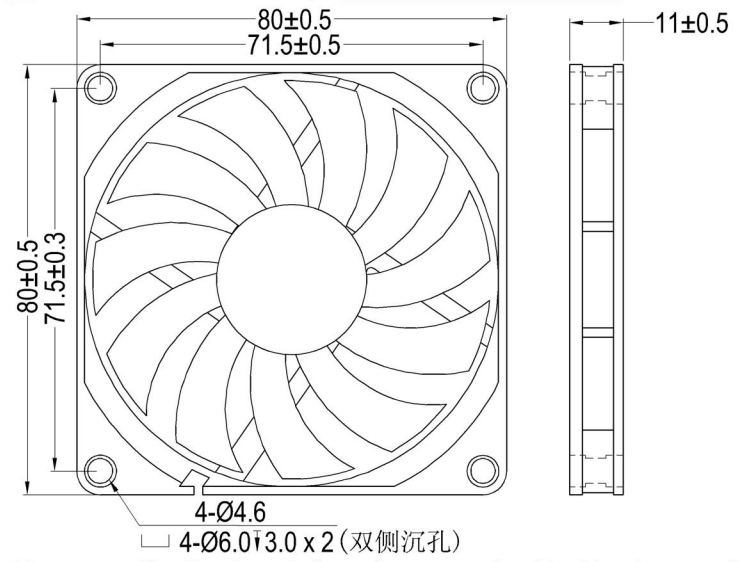
扇框: PBT塑料制, 阻燃等级UL94 V-0

Motor : 4 poles brushless DC motor

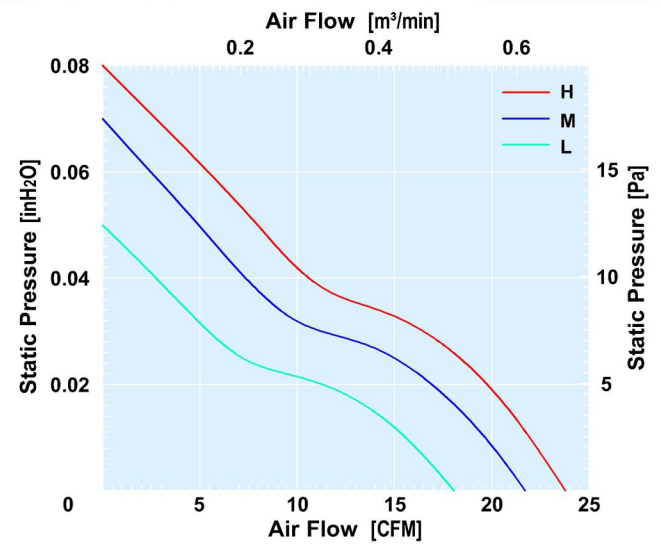
電機: 4极无刷直流電機

Model (型号)	Bearing System (轴承)	Rated Voltage (电压) [V]	Voltage Range (电压范围) [V]	Current (电流) [A]	Speed (转速) [RPM]	Maximum Air Flow (风量) [CFM]	Maximum Air Flow (风量) [m³/min]	Max. Static Pressure (静压) [inH ₂ O]	Max. Static Pressure (静压) [Pa]	Niose Level (噪音) [dB-A]	Mass (质量) [g]
GW801005L	B/S	5	3.6~6.8	0.21	2500	18.11	0.51	0.05	12.45	26.4	36
GW801012L	B/S	12	6.0~13.5	0.15	2500	18.11	0.51	0.05	12.45	26.4	36
GW801024L	B/S	24	18.0~26.5	0.08	2500	18.11	0.51	0.05	12.45	26.4	36
GW801012M	B/S	12	6.0~13.5	0.19	3000	21.71	0.61	0.07	17.43	30.2	38
GW801024M	B/S	24	18.0~26.5	0.13	3000	21.71	0.61	0.07	17.43	30.2	38
GW801012H	B/S	12	6.0~13.5	0.25	3300	23.81	0.67	0.08	19.92	32.4	39
GW801024H	B/S	24	18.0~26.5	0.16	3300	23.81	0.67	0.08	19.92	32.4	39

Dimensions Drawing



Air Flow & Static Pressure Curve



Above specification is only for reference and subject to change without notice.
以上数据仅供参考, 如有变更恕不另行通知。