

# GW7020 DC AXIAL FAN Series

## 70 x 70 x 20 mm

- AUTO (RESTAR)
- PWM
- FG
- RD SIGNAL H
- RD SIGNAL L



Impeller : 9 blades, made of plastic PBT UL94 V-0

扇叶 : 9叶, PBT塑料制, 阻燃等级UL94 V-0

Frame : Made of plastic PBT UL94 V-0

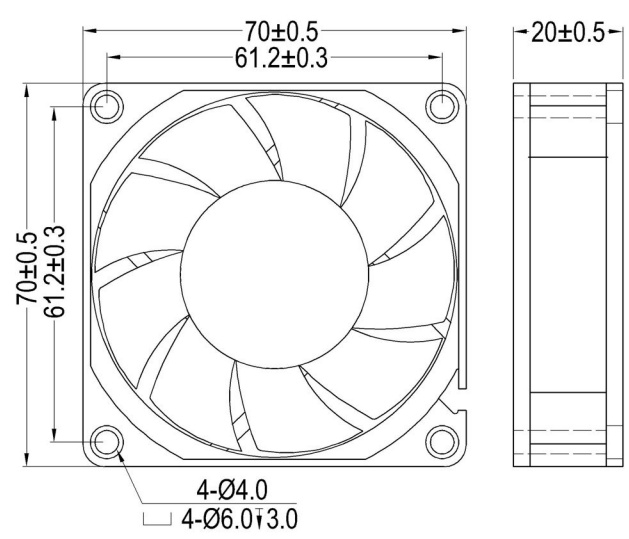
扇框 : PBT塑料制, 阻燃等级UL94 V-0

Motor : 4 poles brushless DC motor

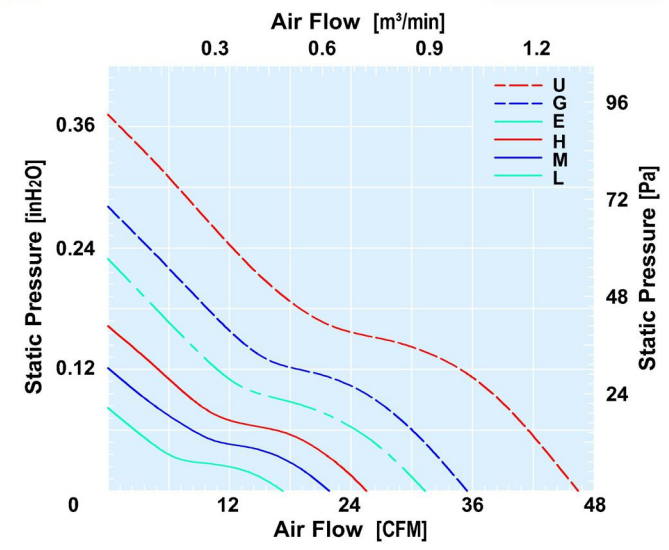
電機 : 4极无刷直流電機

Model (型号)	Bearing System (轴承)	Rated Voltage (电压) [V]	Voltage Range (电压范围) [V]	Current (电流) [A]	Speed (转速) [RPM]	Maximum Air Flow (风量) [CFM]	Maximum Air Flow (风量) [m³/min]	Max. Static Pressure (静压) [inH <sub>2</sub> O]	Max. Static Pressure (静压) [Pa]	Niose Level (噪音) [dB-A]	Mass (质量) [g]
GW702012L	B/S	12	6.0~13.5	0.13	2500	17.3	0.49	0.082	20.4	26.0	56
GW702024L	B/S	24	18.0~26.5	0.07	2500	17.3	0.49	0.082	20.4	26.0	56
GW702012M	B/S	12	6.0~13.5	0.17	3000	21.9	0.62	0.122	30.4	31.0	57.5
GW702024M	B/S	24	18.0~26.5	0.10	3000	21.9	0.62	0.122	30.4	31.0	57.5
GW702012H	B/S	12	6.0~13.5	0.17	3500	25.54	0.723	0.163	40.6	35.2	59
GW702024H	B/S	24	18.0~26.5	0.10	3500	25.54	0.723	0.163	40.6	35.2	59
GW702012E	B/S	12	6.0~13.5	0.17	4000	31.4	0.89	0.23	57.3	37.0	59
GW702024E	B/S	24	18.0~26.5	0.10	4000	31.4	0.89	0.23	57.3	37.0	59
GW702012G	B/S	12	6.0~13.5	0.17	4500	35.5	1.005	0.281	70	39.4	60
GW702024G	B/S	24	18.0~26.5	0.10	4500	35.5	1.005	0.281	70	39.4	60
GW702012U	B/S	12	6.0~13.5	0.17	5000	46.5	1.317	0.37	92.1	45.2	60
GW702024U	B/S	24	18.0~26.5	0.10	5000	46.5	1.317	0.37	92.1	45.2	60

### Dimensions Drawing



### Air Flow & Static Pressure Curve



Above specification is only for reference and subject to change without notice.  
以上数据仅供参考, 如有变更恕不另行通知。