

AUTO  
RESTAR

PWM

FG

RD  
SIGNAL H

RD  
SIGNAL L

# DC AXIAL FAN

## □ 70 x 70 x 15 mm

GW7015  
Series



Impeller : 9 blades, made of plastic PBT UL94 V-0

扇 叶: 9叶, PBT塑料制, 阻燃等级UL94 V-0

Frame : Made of plastic PBT UL94 V-0

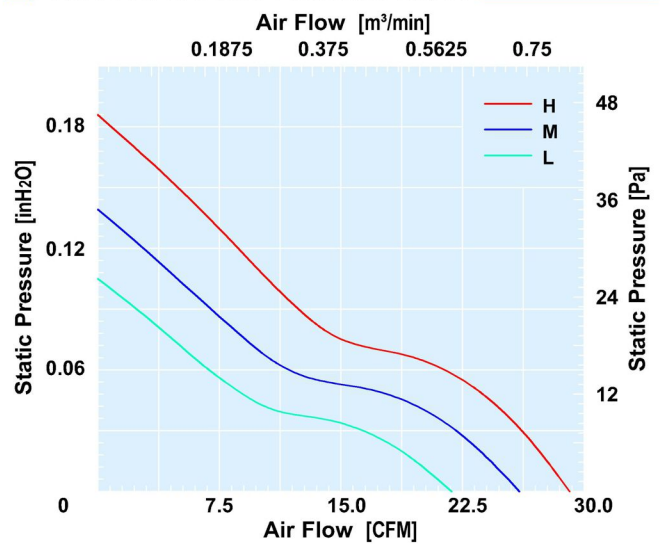
扇 框: PBT塑料制, 阻燃等级UL94 V-0

Motor : 4 poles brushless DC motor

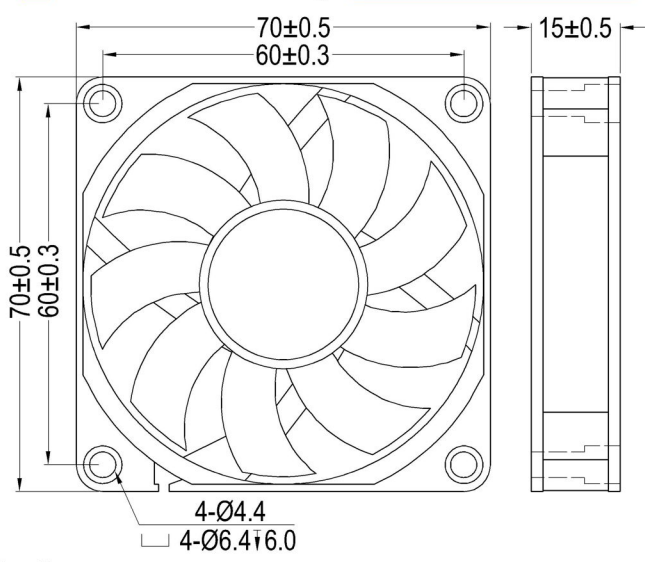
電 機: 4极无刷直流电机

Model (型号)	Bearing System (轴承)	Rated Voltage (电压) [V]	Voltage Range (电压范围) [V]	Current (电流) [A]	Speed (转速) [RPM]	Maximum Air Flow (风量) [CFM]	Maximum Air Flow (风量) [m³/min]	Max. Static Pressure (静压) [inH <sub>2</sub> O]	Max. Static Pressure (静压) [Pa]	Niose Level (噪音) [dB-A]	Mass (质量) [g]
GW701505L	B/S	5	3.6~6.8	0.21	3400	21.85	0.62	0.105	26.1	28.2	43.5
GW701512L	B/S	12	6.0~13.5	0.12	3400	21.85	0.62	0.105	26.1	28.2	43.5
GW701524L	B/S	24	18.0~26.5	0.07	3400	21.85	0.62	0.105	26.1	28.2	43.5
GW701512M	B/S	12	6.0~13.5	0.19	4000	25.01	0.71	0.142	35.4	32.7	43.5
GW701524M	B/S	24	18.0~26.5	0.09	4000	25.01	0.71	0.142	35.4	32.7	43.5
GW701512H	B/S	12	6.0~13.5	0.26	4500	29.02	0.82	0.183	45.6	34.8	43.5
GW701524H	B/S	24	18.0~26.5	0.13	4500	29.02	0.82	0.183	45.6	34.8	43.5

### Air Flow & Static Pressure Curve



### Dimensions Drawing



Above specification is only for reference and subject to change without notice.

以上数据仅供参考, 如有变更恕不另行通知。

AIR SPACE

直流轴流风扇

www.pudaelec.com