



DC AXIAL FAN

□ 60 x 60 x 38 mm

GW6038
[增压型]
Series



Impeller : 7 blades, made of plastic PBT UL94 V-0

扇叶: 7叶, PBT塑料制, 阻燃等级UL94 V-0

Frame : Made of plastic PBT UL94 V-0

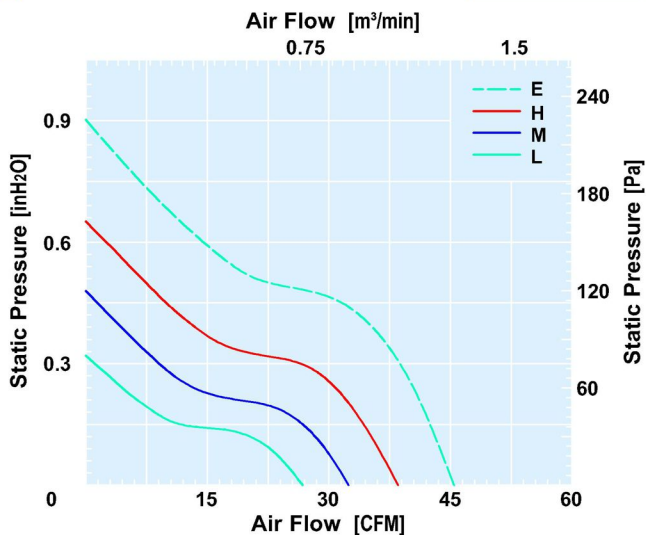
扇框: PBT塑料制, 阻燃等级UL94 V-0

Motor : 4 poles brushless DC motor

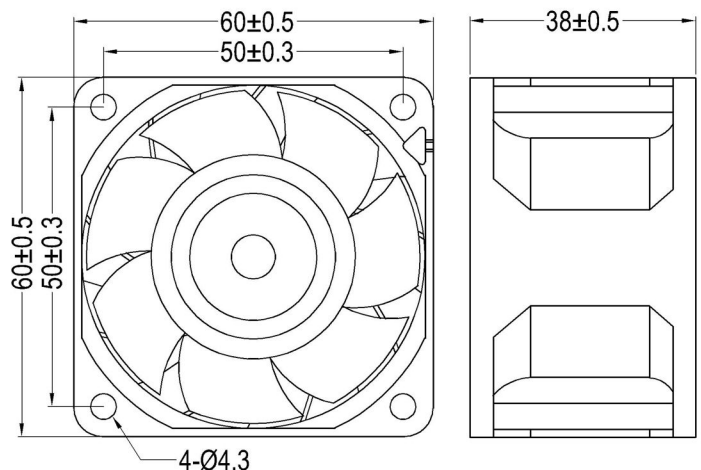
电机: 4极无刷直流电机

Model (型号)	Bearing System (轴承)	Rated Voltage (电压) [V]	Voltage Range (电压范围) [V]	Current (电流) [A]	Speed (转速) [RPM]	Maximum Air Flow (风量) [CFM]	Maximum Air Flow (风量) [m³/min]	Max. Static Pressure (静压) [inH ₂ O]	Max. Static Pressure (静压) [Pa]	Niose Level (噪音) [dB-A]	Mass (质量) [g]
GW603812L	B/S	12	6.0~13.5	0.19	4500	26.7	0.756	0.319	79.4	41	112
GW603824L	B/S	24	18.0~26.5	0.11	4500	26.7	0.756	0.319	79.4	41	112
GW603848L	B/S	48	36.0~54.0	0.07	4500	26.7	0.756	0.319	79.4	41	112
GW603812M	B/S	12	6.0~13.5	0.26	5500	32.6	0.923	0.48	119.6	47	114
GW603824M	B/S	24	18.0~26.5	0.17	5500	32.6	0.923	0.48	119.6	47	114
GW603848M	B/S	48	36.0~54.0	0.09	5500	32.6	0.923	0.48	119.6	47	114
GW603812H	B/S	12	6.0~13.5	0.45	6500	38.5	1.09	0.65	161.8	51	115
GW603824H	B/S	24	18.0~26.5	0.25	6500	38.5	1.09	0.65	161.8	51	115
GW603848H	B/S	48	36.0~54.0	0.13	6500	38.5	1.09	0.65	161.8	51	115
GW603812E	B/S	12	6.0~13.5	0.72	7500	45.5	1.29	0.90	224.5	55	116
GW603824E	B/S	24	18.0~26.5	0.36	7500	45.5	1.29	0.90	224.5	55	116
GW603848E	B/S	48	36.0~54.0	0.19	7500	45.5	1.29	0.90	224.5	55	116

Air Flow & Static Pressure Curve



Dimensions Drawing



Above specification is only for reference and subject to change without notice.

以上数据仅供参考, 如有变更恕不另行通知。