

GW6025 Series DC AXIAL FAN

□ 60 x 60 x 25 mm

- AUTO (RESTAR)
- PWM
- FG
- RD SIGNAL H
- RD SIGNAL L



Impeller : 7 blades, made of plastic PBT UL94 V-0

扇 叶: 7叶, PBT塑料制, 阻燃等级UL94 V-0

Frame : Made of plastic PBT UL94 V-0

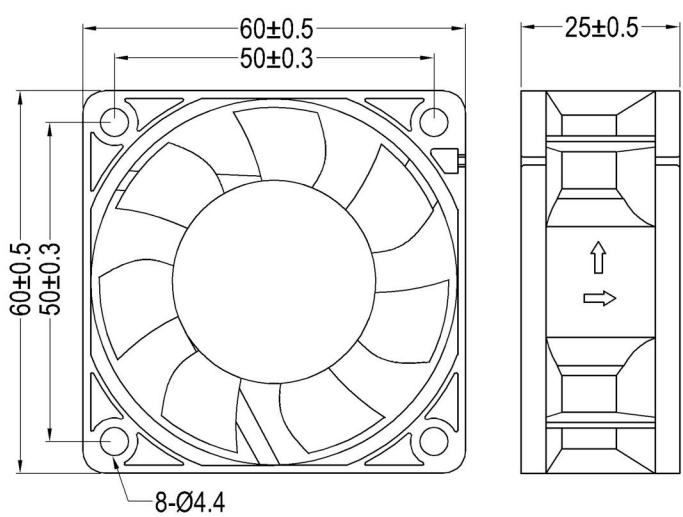
扇 框: PBT塑料制, 阻燃等级UL94 V-0

Motor : 4 poles brushless DC motor

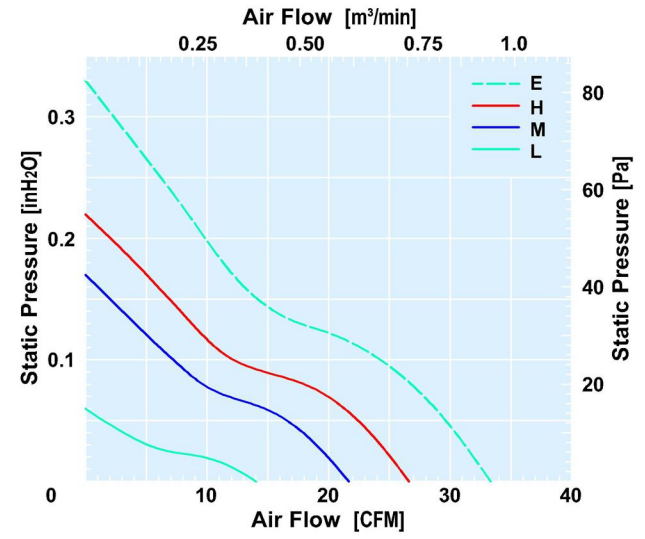
電 機: 4极无刷直流電機

Model (型号)	Bearing System (轴承)	Rated Voltage (电压) [V]	Voltage Range (电压范围) [V]	Current (电流) [A]	Speed (转速) [RPM]	Maximum Air Flow (风量) [CFM]	Maximum Air Flow (风量) [m³/min]	Max. Static Pressure (静压) [inH2O]	Max. Static Pressure (静压) [Pa]	Niose Level (噪音) [dB-A]	Mass (质量) [g]
GW602505L	B/S	5	3.6~6.8	0.20	3000	14.10	0.41	0.06	14.9	26.5	55
GW602512L	B/S	12	6.0~13.5	0.11	3000	14.10	0.41	0.06	14.9	26.5	55
GW602524L	B/S	24	18.0~26.5	0.07	3000	14.10	0.41	0.06	14.9	26.5	55
GW602512M	B/S	12	6.0~13.5	0.17	4000	21.63	0.61	0.17	42.3	33.2	55
GW602524M	B/S	24	18.0~26.5	0.10	4000	21.63	0.61	0.17	42.3	33.2	55
GW602548M	B/S	48	36.0~54.0	0.05	4000	21.63	0.61	0.17	42.3	33.2	55
GW602512H	B/S	12	6.0~13.5	0.27	4800	26.65	0.75	0.22	54.8	36.4	56
GW602524H	B/S	24	18.0~26.5	0.11	4800	26.65	0.75	0.22	54.8	36.4	56
GW602548H	B/S	48	36.0~54.0	0.07	4800	26.65	0.75	0.22	54.8	36.4	56
GW602512E	B/S	12	6.0~13.5	0.55	6000	33.26	0.94	0.33	82.2	40.5	57
GW602524E	B/S	24	18.0~26.5	0.16	6000	33.26	0.94	0.33	82.2	40.5	57
GW602548E	B/S	48	36.0~54.0	0.09	6000	33.26	0.94	0.33	82.2	40.5	57

Dimensions Drawing



Air Flow & Static Pressure Curve



Above specification is only for reference and subject to change without notice.
以上数据仅供参考, 如有变更恕不另行通知。