



DC AXIAL FAN

□ 60 x 60 x 20 mm

GW6020 Series



Impeller : 7 blades, made of plastic PBT UL94 V-0

扇叶: 7叶, PBT塑料制, 阻燃等级UL94 V-0

Frame : Made of plastic PBT UL94 V-0

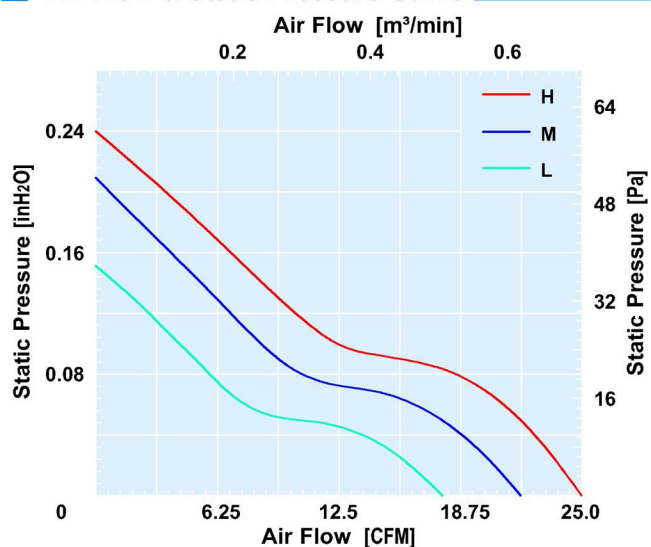
扇框: PBT塑料制, 阻燃等级UL94 V-0

Motor : 4 poles brushless DC motor

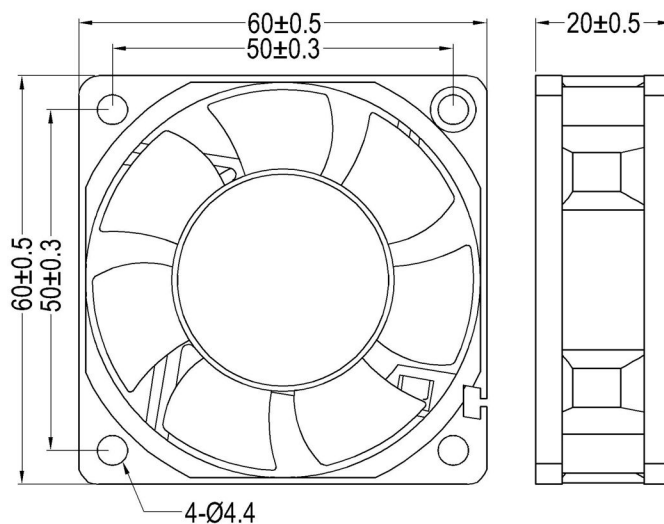
电机: 4极无刷直流电机

| Model (型号) | Bearing System (轴承) | Rated Voltage (电压) [V] | Voltage Range (电压范围) [V] | Current (电流) [A] | Speed (转速) [RPM] | Maximum Air Flow (风量) [CFM] | Maximum Air Flow (风量) [m³/min] | Max. Static Pressure (静压) [inH ₂ O] | Max. Static Pressure (静压) [Pa] | Niose Level (噪音) [dB-A] | Mass (质量) [g] |
|---------------|------------------------|------------------------------|--------------------------------|------------------------|------------------------|-----------------------------------|--------------------------------------|--|--------------------------------------|-------------------------------|---------------------|
| GW602005L | B/S | 5 | 3.6~6.8 | 0.21 | 3500 | 17.83 | 0.51 | 0.15 | 37.35 | 28 | 47.5 |
| GW602012L | B/S | 12 | 6.0~13.5 | 0.10 | 3500 | 17.83 | 0.51 | 0.15 | 37.35 | 28 | 47.5 |
| GW602024L | B/S | 24 | 18.0~26.5 | 0.06 | 3500 | 17.83 | 0.51 | 0.15 | 37.35 | 28 | 47.5 |
| GW602012M | B/S | 12 | 6.0~13.5 | 0.17 | 4300 | 21.81 | 0.62 | 0.21 | 52.3 | 34.2 | 47.5 |
| GW602024M | B/S | 24 | 18.0~26.5 | 0.09 | 4300 | 21.81 | 0.62 | 0.21 | 52.3 | 34.2 | 47.5 |
| GW602012H | B/S | 12 | 6.0~13.5 | 0.20 | 4700 | 24.91 | 0.71 | 0.24 | 59.8 | 36.8 | 47.5 |
| GW602024H | B/S | 24 | 18.0~26.5 | 0.11 | 4700 | 24.91 | 0.71 | 0.24 | 59.8 | 36.8 | 47.5 |

Air Flow & Static Pressure Curve



Dimensions Drawing



Above specification is only for reference and subject to change without notice.

以上数据仅供参考, 如有变更恕不另行通知。