



DC AXIAL FAN

□ 60 x 60 x 15 mm

GW6015 Series



Impeller : 9 blades, made of plastic PBT UL94 V-0

扇叶: 9叶, PBT塑料制, 阻燃等级UL94 V-0

Frame : Made of plastic PBT UL94 V-0

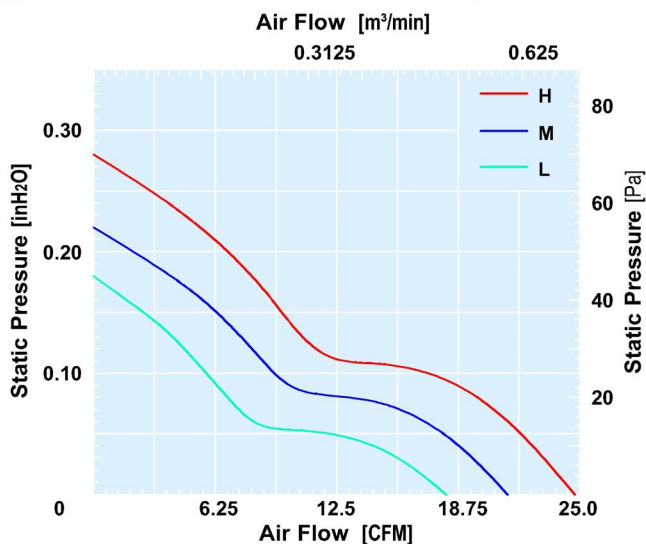
扇框: PBT塑料制, 阻燃等级UL94 V-0

Motor : 4 poles brushless DC motor

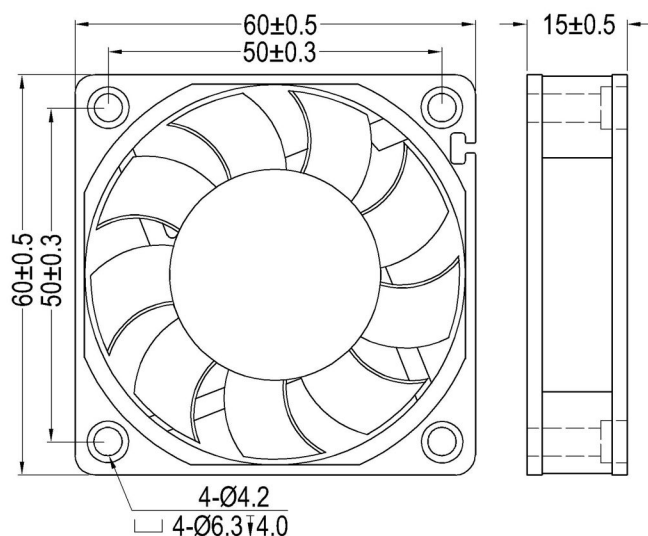
电机: 4极无刷直流电机

Model (型号)	Bearing System (轴承)	Rated Voltage (电压) [V]	Voltage Range (电压范围) [V]	Current (电流) [A]	Speed (转速) [RPM]	Maximum Air Flow (风量) [CFM]	Maximum Air Flow (风量) [m³/min]	Max. Static Pressure (静压) [inH ₂ O]	Max. Static Pressure (静压) [Pa]	Noise Level (噪音) [dB-A]	Mass (质量) [g]
GW601505L	B/S	5	3.6~6.8	0.21	4500	18.17	0.51	0.18	44.8	35	38
GW601512L	B/S	12	6.0~13.5	0.10	4500	18.17	0.51	0.18	44.8	35	38
GW601524L	B/S	24	18.0~26.5	0.06	4500	18.17	0.51	0.18	44.8	35	38
GW601512M	B/S	12	6.0~13.5	0.17	5100	21.27	0.61	0.22	54.8	37.4	38.5
GW601524M	B/S	24	18.0~26.5	0.08	5100	21.27	0.61	0.22	54.8	37.4	38.5
GW601512H	B/S	12	6.0~13.5	0.20	6000	24.80	0.71	0.28	69.7	39.5	39
GW601524H	B/S	24	18.0~26.5	0.11	6000	24.80	0.71	0.28	69.7	39.5	39

Air Flow & Static Pressure Curve



Dimensions Drawing



Above specification is only for reference and subject to change without notice.

以上数据仅供参考, 如有变更恕不另行通知。