



AIR SPACE

直流軸流風扇

www.pudaelec.com

# GW6010 DC AXIAL FAN Series

## □ 60 x 60 x 10 mm

- AUTO (RESTAR)
- PWM
- FG
- RD SIGNAL H
- RD SIGNAL L



Impeller : 11 blades, made of plastic PBT UL94 V-0

扇 叶: 11叶, PBT塑料制, 阻燃等级UL94 V-0

Frame : Made of plastic PBT UL94 V-0

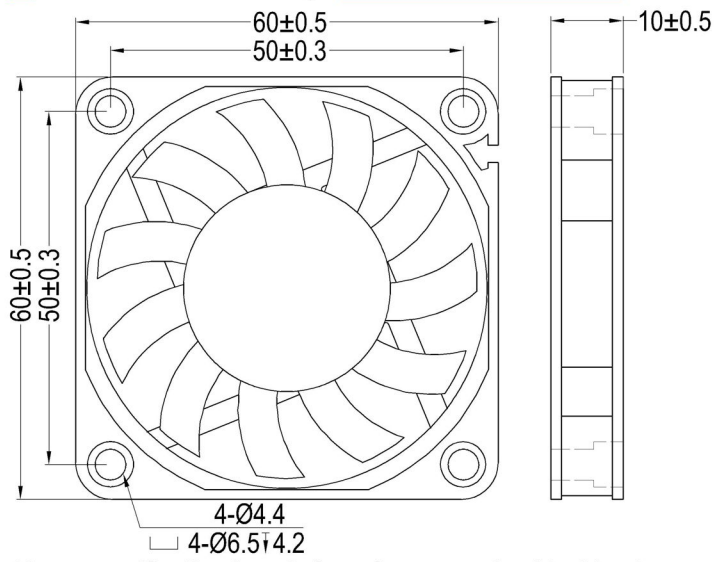
扇 框: PBT塑料制, 阻燃等级UL94 V-0

Motor : 4 poles brushless DC motor

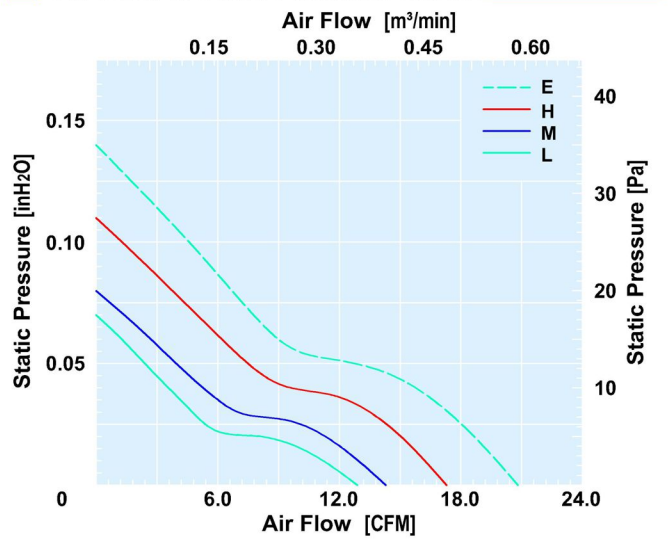
電 機: 4极无刷直流電機

Model (型号)	Bearing System (轴承)	Rated Voltage (电压) [V]	Voltage Range (电压范围) [V]	Current (电流) [A]	Speed (转速) [RPM]	Maximum Air Flow (风量) [CFM]	Maximum Air Flow (风量) [m³/min]	Max. Static Pressure (静压) [inH <sub>2</sub> O]	Max. Static Pressure (静压) [Pa]	Niose Level (噪音) [dB-A]	Mass (质量) [g]
GW601005L	B/S	5	3.6~6.8	0.19	3200	12.9	0.365	0.07	17.4	23.5	20
GW601012L	B/S	12	6.0~13.5	0.11	3200	12.9	0.365	0.07	17.4	23.5	20
GW601005M	B/S	5	3.6~6.8	0.26	3700	14.33	0.411	0.08	19.9	26.6	20
GW601012M	B/S	12	6.0~13.5	0.14	3700	14.33	0.411	0.08	19.9	26.6	20
GW601012H	B/S	12	6.0~13.5	0.19	4300	17.31	0.491	0.11	27.4	30.2	20.5
GW601024H	B/S	24	18.0~26.5	0.12	4300	17.31	0.491	0.11	27.4	30.2	20.5
GW601012E	B/S	12	6.0~13.5	0.26	5000	20.8	0.591	0.14	34.8	33.0	20.5
GW601024E	B/S	24	18.0~26.5	0.15	5000	20.8	0.591	0.14	34.8	33.0	20.5

### Dimensions Drawing



### Air Flow & Static Pressure Curve



Above specification is only for reference and subject to change without notice.

以上数据仅供参考, 如有变更恕不另行通知。