

AUTO
RESTAR

FG

RD
SIGNAL H

RD
SIGNAL L

DC AXIAL FAN

□ 25 x 25 x 10 mm

GW2510
Series



Impeller : 5 blades ,made of plastic PBT UL94 V-0

扇 叶: 5叶, PBT塑料制, 阻燃等级UL94 V-0

Frame : Made of plastic PBT UL94 V-0

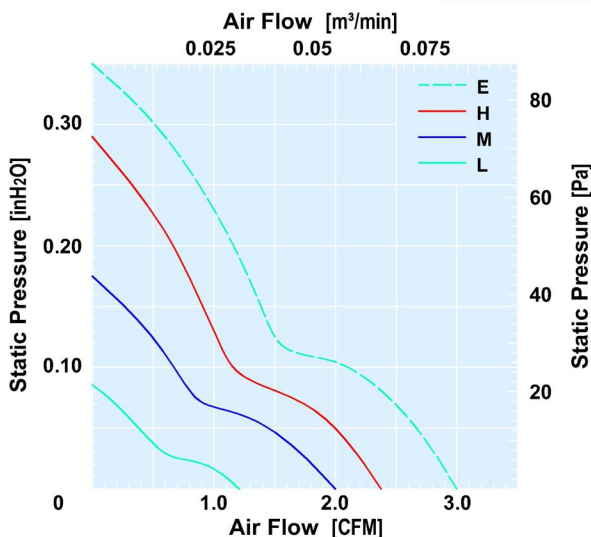
扇 框: PBT塑料制, 阻燃等级UL94 V-0

Motor : 4 poles brushless DC motor

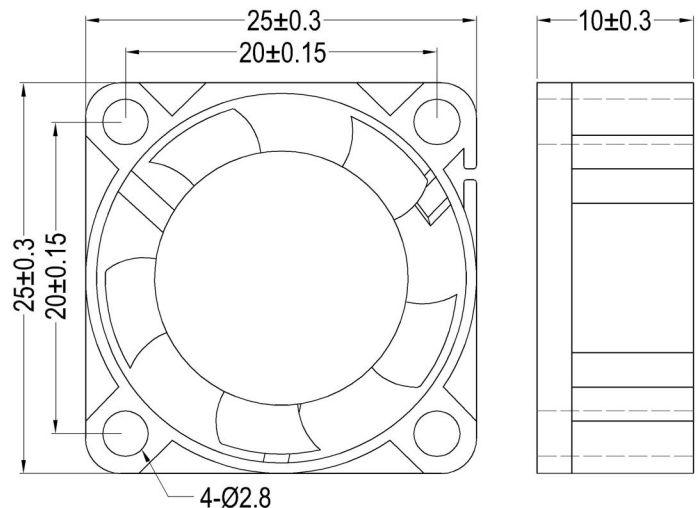
電 機: 4极无刷直流电机

Model (型号)	Bearing System (轴承)	Rated Voltage (电压) [V]	Voltage Range (电压范围) [V]	Current (电流) [A]	Speed (转速) [RPM]	Maximum Air Flow (风量) [CFM]	Maximum Air Flow (风量) [m³/min]	Max. Static Pressure (静压) [inH ₂ O]	Max. Static Pressure (静压) [Pa]	Niose Level (噪音) [dB-A]	Mass (质量) [g]
GW251005L	B/S	5	3.6~6.8	0.09	7000	1.21	0.034	0.085	21.2	19.6	6.8
GW251012L	B/S	12	6.0~13.5	0.03	7000	1.21	0.034	0.085	21.2	19.6	6.8
GW251005M	B/S	5	3.6~6.8	0.13	10000	2.00	0.056	0.176	43.8	22.8	6.8
GW251012M	B/S	12	6.0~13.5	0.05	10000	2.00	0.056	0.176	43.8	22.8	6.8
GW251005H	B/S	5	3.6~6.8	0.17	12000	2.38	0.067	0.29	72.2	25.2	6.8
GW251012H	B/S	12	6.0~13.5	0.08	12000	2.38	0.067	0.29	72.2	25.2	6.8
GW251005E	B/S	5	3.6~6.8	0.23	15000	3.00	0.085	0.35	87.2	29.0	6.8
GW251012E	B/S	12	6.0~13.5	0.10	15000	3.00	0.085	0.35	87.2	29.0	6.8

Air Flow & Static Pressure Curve



Dimensions Drawing



Above specification is only for reference and subject to change without notice.

以上数据仅供参考, 如有变更恕不另行通知。