

YE280 Series

EC Centrifugal Fan Ø280 x 114 mm

AUTO
RESTAR

PWM

FG

RD
SIGNAL H

RD
SIGNAL L

Impeller : 11 blades,made of SPCC

風輪: 11叶,冷轧板制

Motor : DC brushless motor

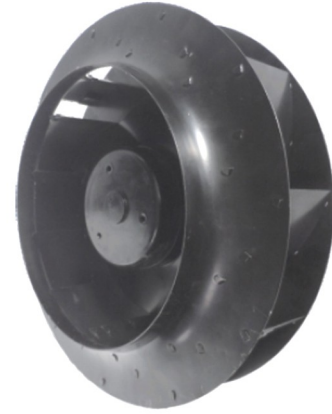
電機: 直流无刷電機

Degree of protection : IP54

防护等级: IP54

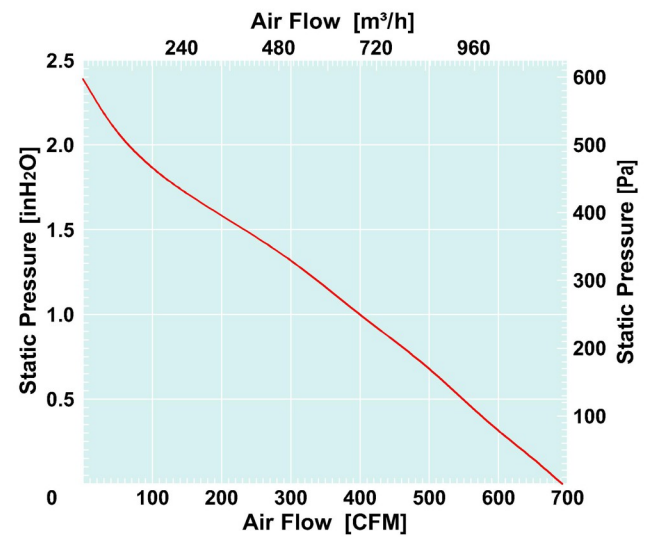
Operating temperature : -25~+65°C

工作温度: -25~+65°C

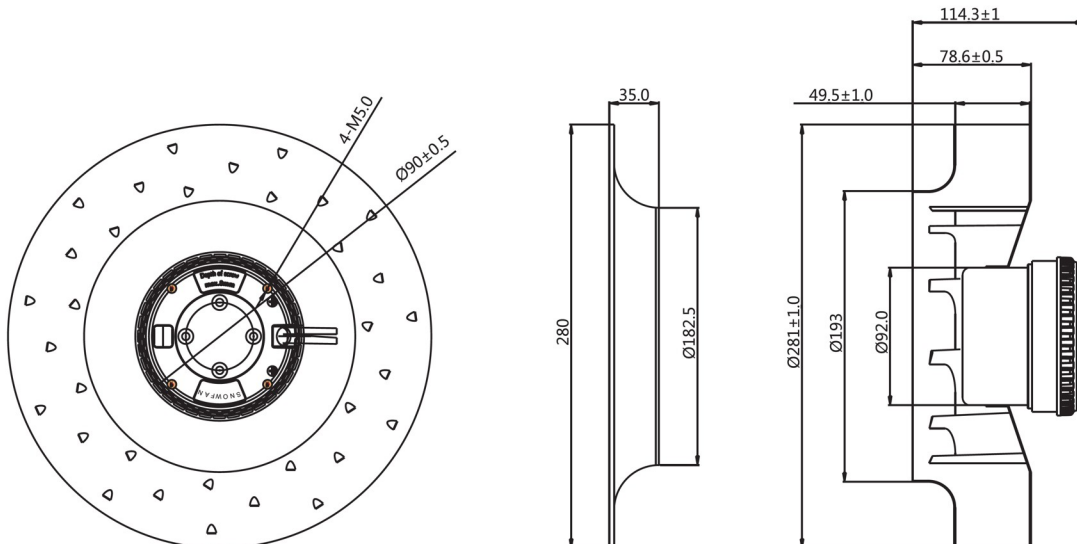


Model (型号)	Bearing System (轴承)	Rated Voltage (电压) [VAC]	Voltage Range (电压范围) [VAC]	Freq. (频率) [Hz]	Input Power (功率) [W]	Speed (转速) [RPM]	Maximum Air Flow (风量) [CFM]	Maximum Air Flow (风量) [m³/h]	Max. Static Pressure (静压) [inH ₂ O]	Max. Static Pressure (静压) [Pa]	Niose Level (噪音) [dB-A]	Mass (质量) [g]
YE280H110	Ball	1~115	80~135	50/60	130	2200	692.4	1176.6	2.39	595.1	65	2400
YE280H220	Ball	1~230	180~265	50/60	130	2200	692.4	1176.6	2.39	595.1	65	2400

Air Flow and Static Pressure



Dimensions Drawing



Above specification is only for reference and subject to change without notice.

以上数据仅供参考, 如有变更恕不另行通知。

普新惠达