

YE220 Series

EC Centrifugal Fan
Ø220 x 97 mm



Impeller : 11 blades, made of GRP UL94 V-0
風輪: 11叶, 玻璃增强热固性塑料, 阻燃等级UL94 V-0

PLUS MOTOR⁺

Motor : DC brushless motor
電機: 直流无刷电机

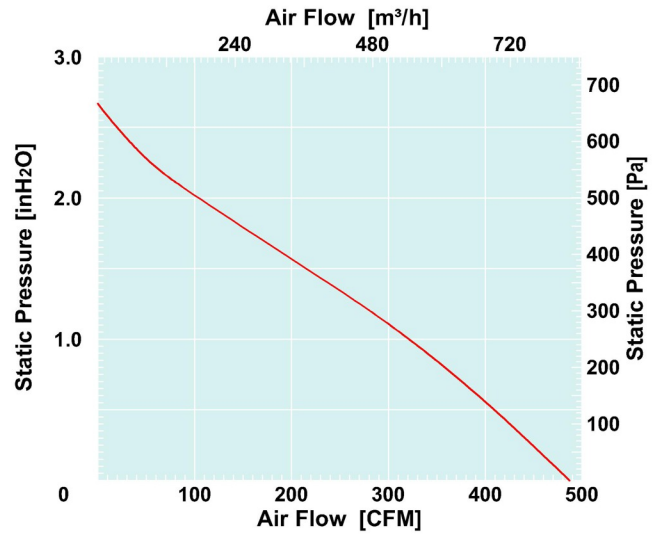
Degree of protection : IP54
防护等级: IP54

Operating temperature : -25~+65°C
工作温度: -25~+65°C

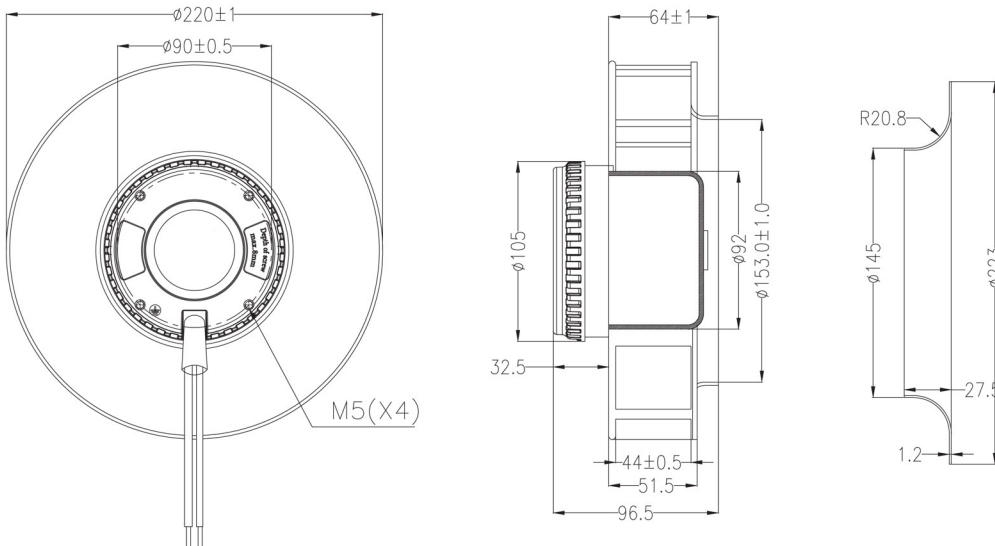


Model (型号)	Bearing System (轴承)	Rated Voltage (电压) [VAC]	Voltage Range (电压范围) [VAC]	Freq. (频率) [Hz]	Input Power (功率) [W]	Speed (转速) [RPM]	Maximum Air Flow (风量) [CFM]	Maximum Air Flow (风量) [m³/h]	Max. Static Pressure (静压) [inH ₂ O]	Max. Static Pressure (静压) [Pa]	Niose Level (噪音) [dB-A]	Mass (质量) [g]
YE220H110	Ball	1~115	80~135	50/60	85	3000	487.1	828.5	2.668	664.4	74	1450
YE220H220	Ball	1~230	180~265	50/60	85	3000	487.1	828.5	2.668	664.4	74	1450

Air Flow and Static Pressure



Dimensions Drawing



Above specification is only for reference and subject to change without notice.
以上数据仅供参考, 如有变更恕不另行通知。

普新惠达