

YE133  
Series

EC Centrifugal Fan  
Ø133 x 110 mm

AUTO  
RESTAR

PWM

FG

RD  
SIGNAL H

RD  
SIGNAL L

Impeller : 7 blades,made of GRP UL94 V-0

風 輪: 7叶,玻璃增强热固性塑料, 阻燃等级UL94 V-0

Motor : DC brushless motor

電 機: 直流无刷電機

Degree of protection : IP54

防护等级: IP54

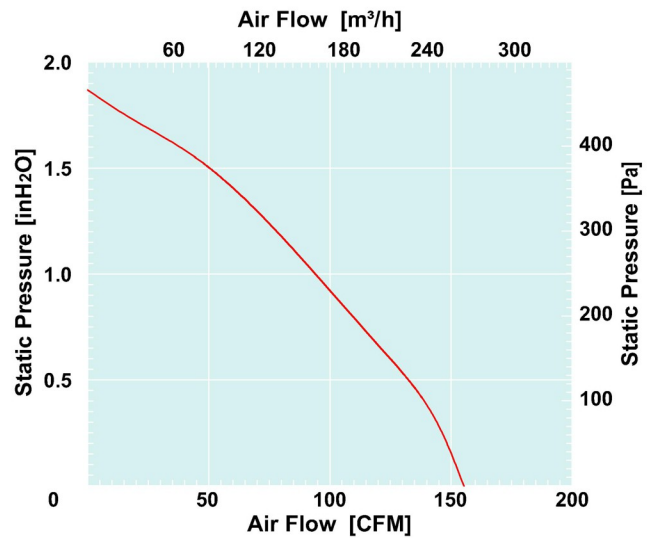
Operating temperature : -25~+65°C

工作温度: -25~+65°C

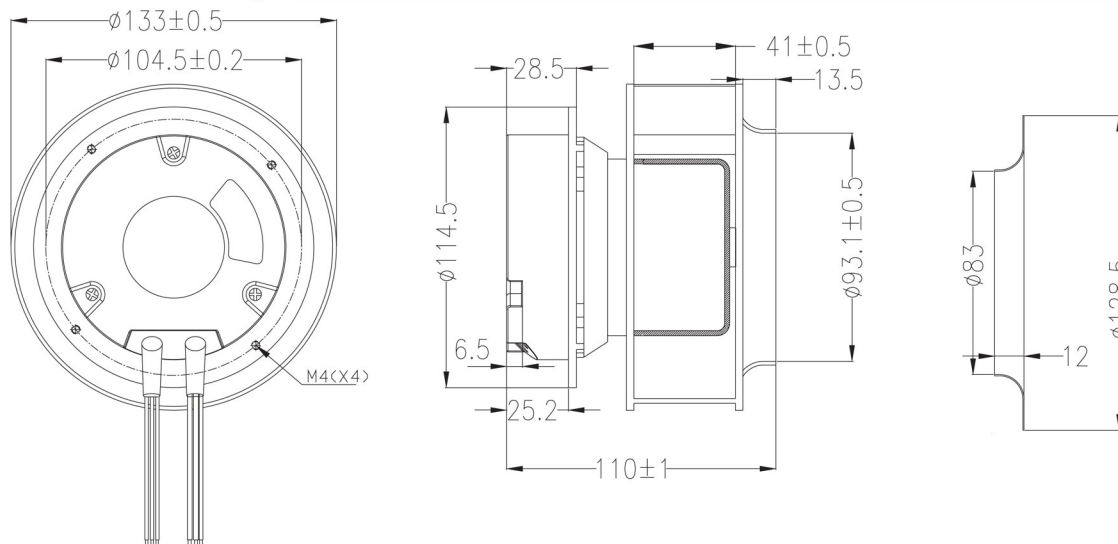


Model (型号)	Bearing System (轴承)	Rated Voltage (电压) [VAC]	Voltage Range (电压范围) [VAC]	Freq. (频率) [Hz]	Input Power (功率) [W]	Speed (转速) [RPM]	Maximum Air Flow (风量) [CFM]	Maximum Air Flow (风量) [m³/h]	Max. Static Pressure (静压) [inH <sub>2</sub> O]	Max. Static Pressure (静压) [Pa]	Niose Level (噪音) [dB-A]	Mass (质量) [g]
YE133H110	Ball	1~115	80~135	50/60	43	4480	155.5	264.4	1.87	466	67	800
YE133H220	Ball	1~230	180~265	50/60	43	4480	155.5	264.4	1.87	466	67	800

### Air Flow and Static Pressure



### Dimensions Drawing



Above specification is only for reference and subject to change without notice.

以上数据仅供参考, 如有变更恕不另行通知。

普新惠达

AIR SPACE

EC  
离心風機

www.pudaelec.com