

YY120
Series

DC Centrifugal Fan
Ø120 x 25 mm

AUTO
RESTAR

PWM

FG

RD
SIGNAL H

RD
SIGNAL L

Impeller : 9 blades,made of GRP (PBT) UL94 V-0

風 輪:9叶,玻璃增强热固性塑料PBT, 阻燃等级UL94 V-0

Motor : 6 poles brushless DC motor

電 機: 6极无刷直流电机

Degree of protection : IP54

防护等级: IP54

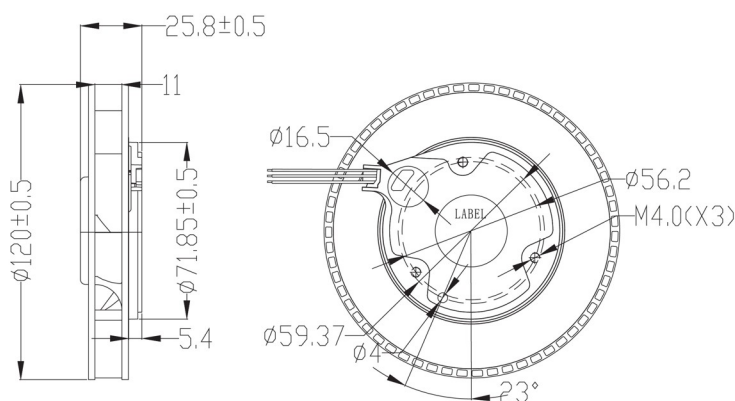
Operating temperature : -25~+70°C

工作温度: -25~+70°C

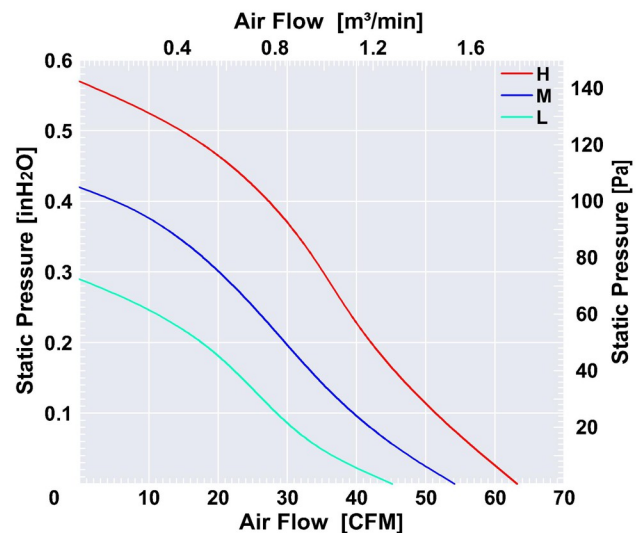


Model (型号)	Bearing System (轴承)	Rated Voltage (电压) [VDC]	Voltage Range (电压范围) [VDC]	Current (电流) [A]	Speed (转速) [RPM]	Maximum Air Flow (风量) [CFM]	Maximum Air Flow (风量) [m³/min]	Max. Static Pressure (静压) [in-H ₂ O]	Max. Static Pressure (静压) [Pa]	Niose Level (噪音) [dB-A]	Mass (质量) [g]
YY12025L12	Ball	12	6.0~13.5	0.55	2500	45.2	1.28	0.29	72.7	48.2	156
YY12025L24	Ball	24	18.0~26.5	0.27	2500	45.2	1.28	0.29	72.7	48.2	156
YY12025L48	Ball	48	36.0~54.0	0.13	2500	45.2	1.28	0.29	72.7	48.2	156
YY12025M12	Ball	12	6.0~13.5	0.62	3000	54.2	1.53	0.42	104.7	52.0	159
YY12025M24	Ball	24	18.0~26.5	0.33	3000	54.2	1.53	0.42	104.7	52.0	159
YY12025M48	Ball	48	36.0~54.0	0.16	3000	54.2	1.53	0.42	104.7	52.0	159
YY12025H12	Ball	12	6.0~13.5	1.0	3500	63.2	1.79	0.57	142.6	55.3	161
YY12025H24	Ball	24	18.0~26.5	0.48	3500	63.2	1.79	0.57	142.6	55.3	161
YY12025H48	Ball	48	36.0~54.0	0.23	3500	63.2	1.79	0.57	142.6	55.3	161

Dimensions Drawing



Air Flow & Static Pressure Curve



Above specification is only for reference and subject to change without notice.

以上数据仅供参考, 如有变更恕不另行通知。

普新惠达