

AUTO
RESTAR

PWM

FG

RD
SIGNAL H

RD
SIGNAL L

DC Centrifugal Fan Ø110 x 25 mm

YY110
Series



Impeller : 9 blades, made of GRP (PBT) UL94 V-0

風輪: 9叶, 玻璃增强热固性塑料PBT, 阻燃等级UL94 V-0

Motor : 6 poles brushless DC motor

電機: 6极无刷直流電機

Degree of protection : IP54

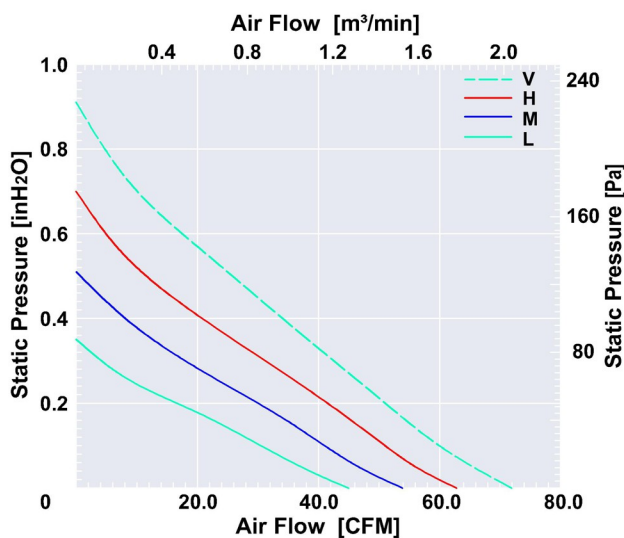
防护等级: IP54

Operating temperature : -25~+70°C

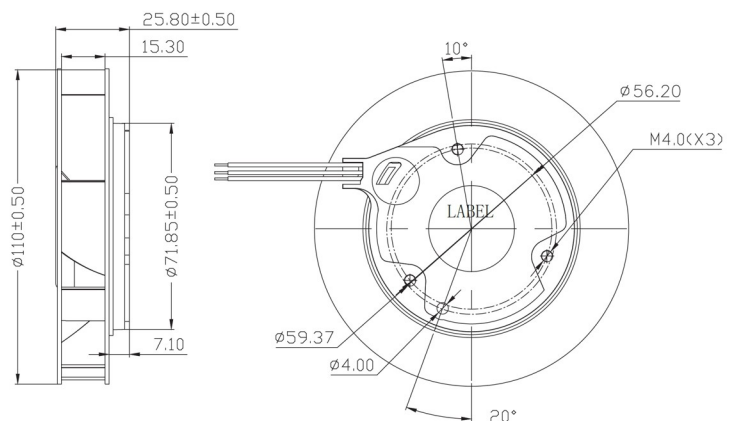
工作温度: -25~+70°C

Model (型号)	Bearing System (轴承)	Rated Voltage (电压) [VDC]	Voltage Range (电压范围) [VDC]	Current (电流) [A]	Speed (转速) [RPM]	Maximum Air Flow (风量) [CFM]	Maximum Air Flow (风量) [m³/min]	Max. Static Pressure (静压) [in-H ₂ O]	Max. Static Pressure (静压) [Pa]	Noise Level (噪音) [dB-A]	Mass (质量) [g]
YY11025L12	Ball	12	6.0~13.5	0.35	2500	45.0	1.27	0.355	88.4	45.7	135
YY11025L24	Ball	24	18.0~26.5	0.18	2500	45.0	1.27	0.355	88.4	45.7	135
YY11025M12	Ball	12	6.0~13.5	0.46	3000	53.94	1.53	0.512	127.5	49.7	138
YY11025M24	Ball	24	18.0~26.5	0.22	3000	53.94	1.53	0.512	127.5	49.7	138
YY11025H12	Ball	12	6.0~13.5	0.58	3500	62.93	1.78	0.70	173.5	53.0	140
YY11025H24	Ball	24	18.0~26.5	0.27	3500	62.93	1.78	0.70	173.5	53.0	140
YY11025HH12	Ball	12	6.0~13.5	0.68	4000	71.92	2.04	0.91	226.5	55.9	141
YY11025HH24	Ball	24	18.0~26.5	0.33	4000	71.92	2.04	0.91	226.5	55.9	141

Air Flow & Static Pressure Curve



Dimensions Drawing



普新惠达

Above specification is only for reference and subject to change without notice.
以上数据仅供参考，如有变更恕不另行通知。

AIR SPACE

直流离心風機

www.pudaelec.com