

YY100
Series

DC Centrifugal Fan
Ø100 x 25 mm

AUTO
RESTAR

PWM

FG

RD
SIGNAL H

RD
SIGNAL L

Impeller : 9 blades,made of GRP (PBT) UL94 V-0

風 輪:9叶,玻璃增强热固性塑料PBT, 阻燃等级UL94 V-0

Motor : 6 poles brushless DC motor

電 機: 6极无刷直流電機

Degree of protection : IP54

防护等级: IP54

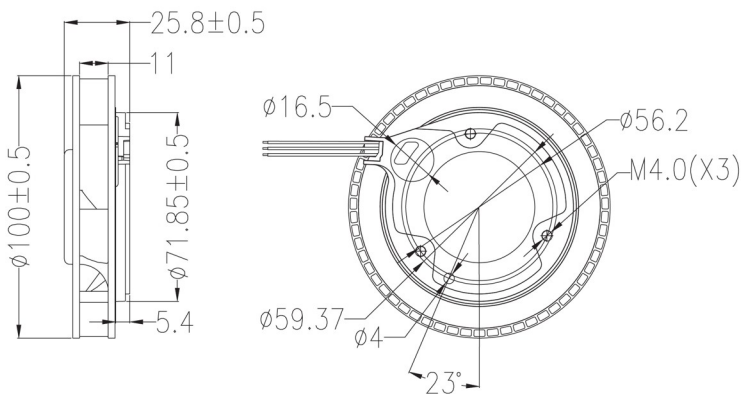
Operating temperature : -25~+70°C

工作温度: -25~+70°C

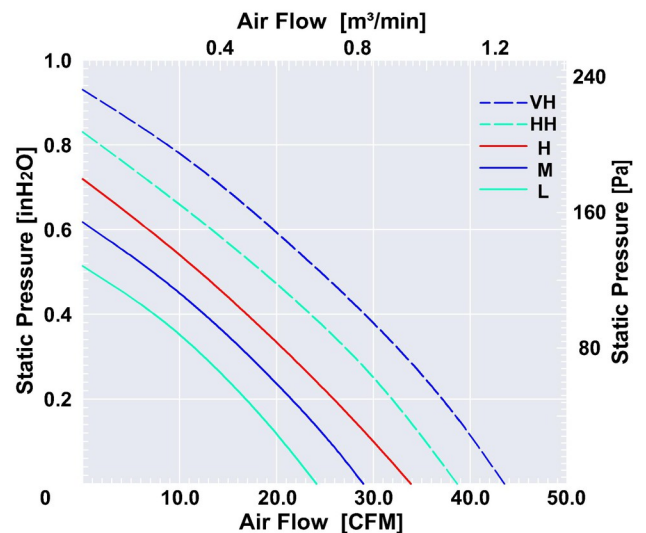


Model (型号)	Bearing System (轴承)	Rated Voltage (电压) [VDC]	Voltage Range (电压范围) [VDC]	Current (电流) [A]	Speed (转速) [RPM]	Maximum Air Flow (风量) [CFM]	Maximum Air Flow (风量) [m³/min]	Max. Static Pressure (静压) [in-H ₂ O]	Max. Static Pressure (静压) [Pa]	Niose Level (噪音) [dB-A]	Mass (质量) [g]
YY10025L12	Ball	12	6.0~13.5	0.29	2500	24.18	0.68	0.518	129	31.0	116
YY10025L24	Ball	24	18.0~26.5	0.15	2500	24.18	0.68	0.518	129	31.0	116
YY10025M12	Ball	12	6.0~13.5	0.35	3000	29.02	0.82	0.62	154.8	37.0	117
YY10025M24	Ball	24	18.0~26.5	0.18	3000	29.02	0.82	0.62	154.8	37.0	117
YY10025H12	Ball	12	6.0~13.5	0.41	3500	33.85	0.96	0.725	180.6	43.5	120
YY10025H24	Ball	24	18.0~26.5	0.21	3500	33.85	0.96	0.725	180.6	43.5	120
YY10025HH12	Ball	12	6.0~13.5	0.47	4000	38.68	1.10	0.83	206.5	49.7	120
YY10025HH24	Ball	24	18.0~26.5	0.24	4000	38.68	1.10	0.83	206.5	49.7	120
YY10025VH12	Ball	12	6.0~13.5	0.53	4500	43.52	1.23	0.93	232.2	56.0	122
YY10025VH24	Ball	24	18.0~26.5	0.27	4500	43.52	1.23	0.93	232.2	56.0	122

Dimensions Drawing



Air Flow & Static Pressure Curve



Above specification is only for reference and subject to change without notice.

以上数据仅供参考, 如有变更恕不另行通知。

普新惠达

AIR SPACE

直流离心風機

www.pudaelec.com