

S180  
Series

# AC Centrifugal Fan Ø180 x 90



Impeller : Made of SPCC

風 輪: 冷軋板

Motor : Enter rotor & capacitor-run induction motor

電 機: 外转子电容运转异步電機

Degree of protection : IP44

防护等级: IP44

Insulation class : F

绝缘等级:F

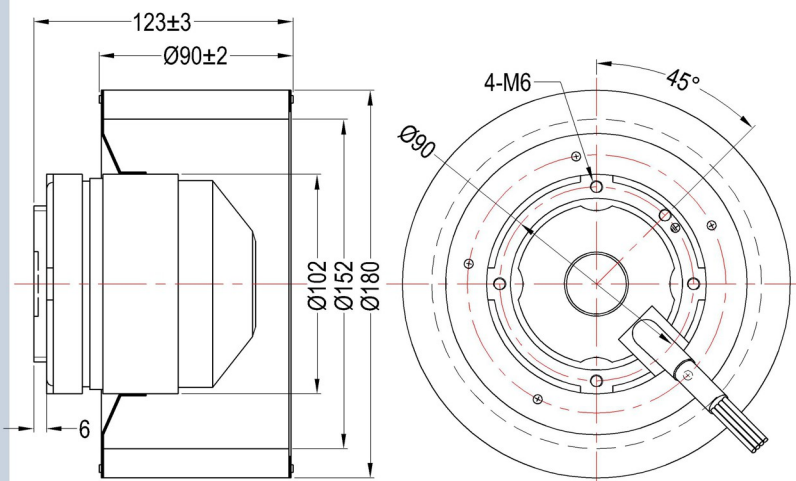
Operating temperature : -25~+80°C

工作温度: -25~+80°C

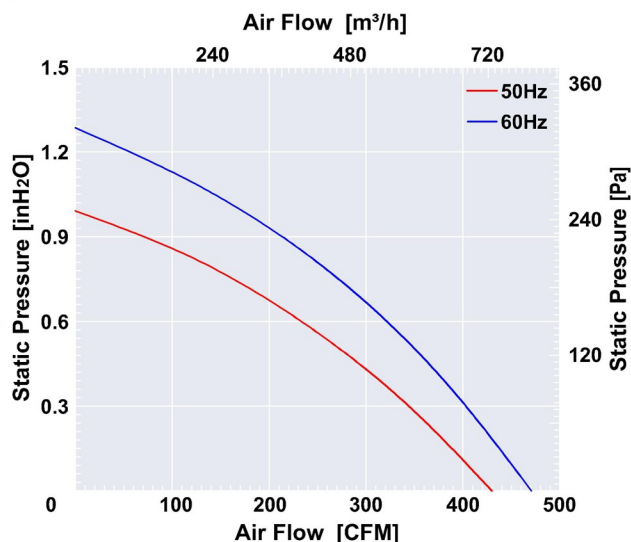


Model (型号)	Bearing System (轴承)	Rated Voltage (电压) [VAC]	Freq. (频率) [Hz]	Current (电流) [A]	Input power (功率) [W]	Speed (转速) [RPM]	Maximum Air Flow (风量) [CFM]	Maximum Air Flow (风量) [m³/h]	Max. Static Pressure (静压) [in-H <sub>2</sub> O]	Max. Static Pressure (静压) [Pa]	Niose Level (噪音) [dB-A]	Mass (质量) [g]
S180HA1-4P	Ball	1~115	60	1.50	110	1650	471	800	1.285	320	61	3200
S180HA2-4P	Ball	1~230	50	0.55	90	1450	430	730	1.044	260	57	3200
S180HA3L-4P	Ball	3~380	50	0.26	70	1450	430	730	1.044	260	57	3200

## Dimensions Drawing



## Air Flow & Static Pressure Curve



Above specification is only for reference and subject to change without notice.

以上数据仅供参考，如有变更恕不另行通知。

普新惠达

AIR SPACE

交流离心風機

www.pudaelec.com