

16062 Series

DC/EC Centrifugal Fan
Ø160 x 62 mm

AUTO
RESTAR

PWM

FG

SS
Soft Starter

V_{sp}
0-5V

Impeller : Made of galvanized sheet steel

風 輪: 鍍鋅鋼板

Motor : DC brushless motor

電 機: 直流无刷電機

Degree of protection : IP42

防护等级: IP42

Operating temperature : -25~+70°C

工作温度: -25~+70°C



DC SPECIFICATIONS

Model (型号)	Bearing System (轴承)	Rated Voltage (电压) [VDC]	Voltage Range (电压范围) [VDC]	Current (电流) [A]	Speed (转速) [RPM]	Maximum Air Flow (风量) [CFM]	Maximum Air Flow (风量) [m³/h]	Max. Static Pressure (静压) [In-H ₂ O]	Max. Static Pressure (静压) [Pa]	Niose Level (噪音) [dB-A]	Mass (质量) [g]
TD1606224HB	Ball	24	20~28	5.4	2700	287	488	1.10	275	61	1520
TD1606248HB	Ball	48	24~57	2.6	2700	287	488	1.10	275	61	1520

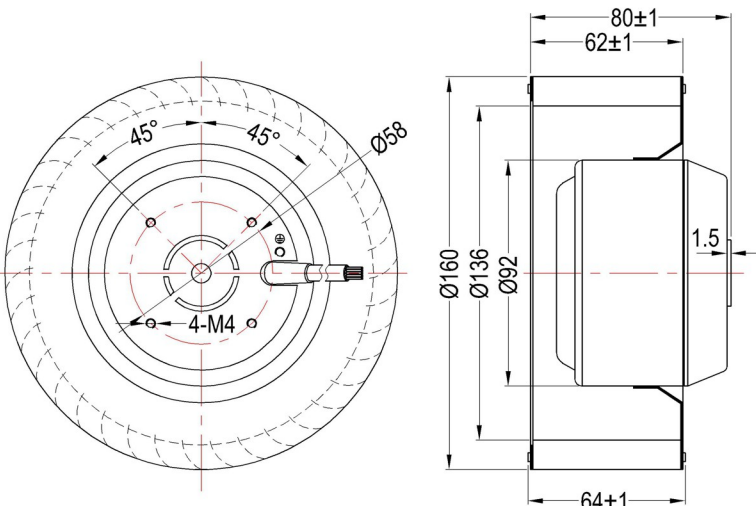


EC SPECIFICATIONS

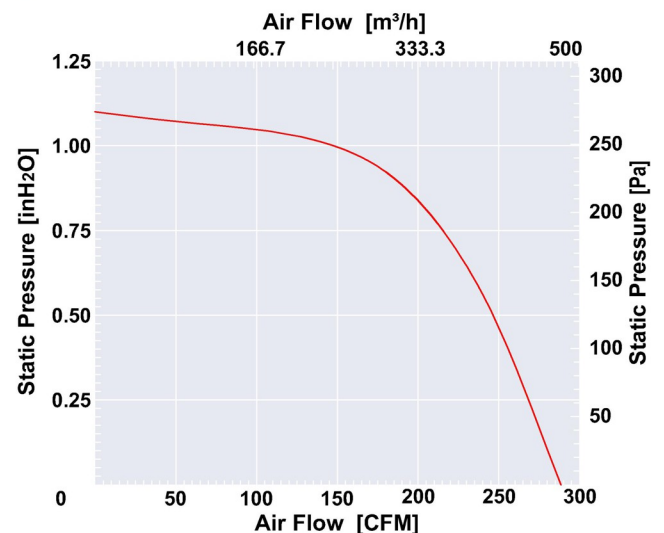
EC BOX

Model (型号)	Bearing System (轴承)	Rated Voltage (电压) [VAC]	Voltage Range (电压范围) [VAC]	Power (功率) [W]	Speed (转速) [RPM]	Maximum Air Flow (风量) [CFM]	Maximum Air Flow (风量) [m³/h]	Max. Static Pressure (静压) [In-H ₂ O]	Max. Static Pressure (静压) [Pa]	Niose Level (噪音) [dB-A]	Mass (质量) [g]
TE1606201HB	Ball	1~115	85~130	150	2700	287	488	1.10	275	61	1550
TE1606202HB	Ball	1~230	85~265	150	2700	287	488	1.10	275	61	1543

Dimensions Drawing



Air Flow & Static Pressure Curve



Above specification is only for reference and subject to change without notice.
以上数据仅供参考，如有变更恕不另行通知。

普新惠达

AIR SPACE

DC EC 离心風機

www.pudaelec.com