



DC AXIAL FAN

□ 50 x 50 x 20 mm

GW5020 Series



Impeller : 7 blades ,made of plastic PBT UL94 V-0

扇 叶: 7叶, PBT塑料制, 阻燃等级UL94 V-0

Frame : Made of plastic PBT UL94 V-0

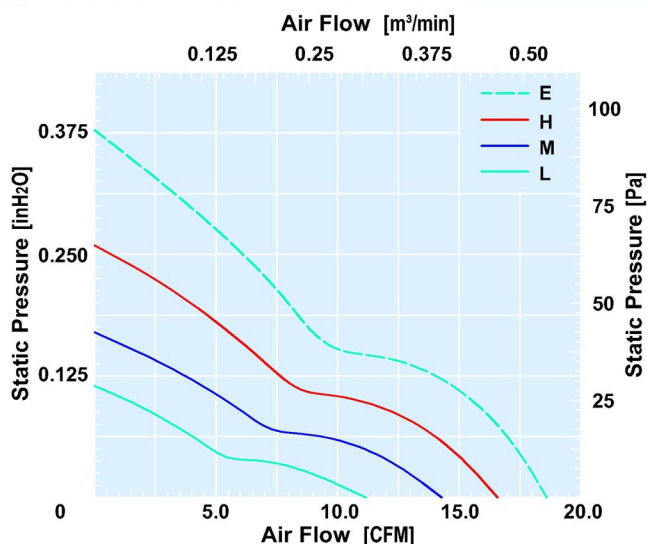
扇 框: PBT塑料制, 阻燃等级UL94 V-0

Motor : 4 poles brushless DC motor

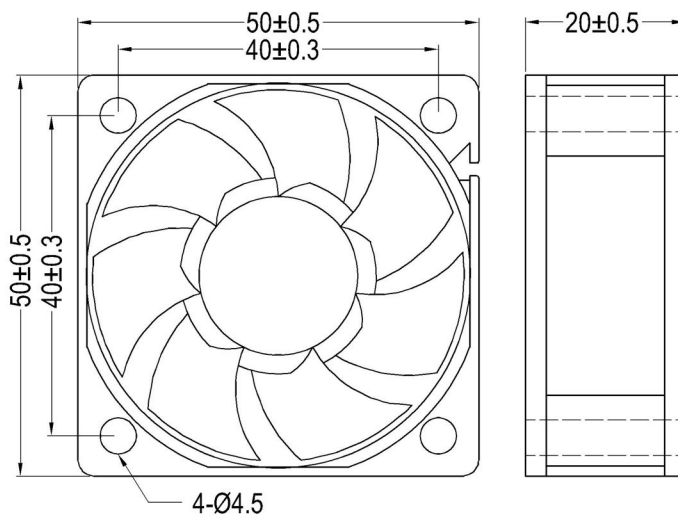
電 機: 4极无刷直流电机

Model (型号)	Bearing System (轴承)	Rated Voltage (电压) [V]	Voltage Range (电压范围) [V]	Current (电流) [A]	Speed (转速) [RPM]	Maximum Air Flow (风量) [CFM]	Maximum Air Flow (风量) [m³/min]	Max. Static Pressure (静压) [inH ₂ O]	Max. Static Pressure (静压) [Pa]	Niose Level (噪音) [dB-A]	Mass (质量) [g]
GW502005L	B/S	5	3.6~6.8	0.18	4000	11.22	0.32	0.11	27.4	27	31
GW502012L	B/S	12	6.0~13.5	0.11	4000	11.22	0.32	0.11	27.4	27	31
GW502024L	B/S	24	18.0~26.5	0.05	4000	11.22	0.32	0.11	27.4	27	31
GW502005M	B/S	5	3.6~6.8	0.22	4800	14.36	0.41	0.17	42.3	28.5	31
GW502012M	B/S	12	6.0~13.5	0.14	4800	14.36	0.41	0.17	42.3	28.5	31
GW502024M	B/S	24	18.0~26.5	0.07	4800	14.36	0.41	0.17	42.3	28.5	31
GW502005H	B/S	5	3.6~6.8	0.40	5800	16.67	0.47	0.26	64.7	34	32
GW502012H	B/S	12	6.0~13.5	0.22	5800	16.67	0.47	0.26	64.7	34	32
GW502024H	B/S	24	18.0~26.5	0.11	5800	16.67	0.47	0.26	64.7	34	32
GW502012E	B/S	12	6.0~13.5	0.28	6500	18.68	0.53	0.38	94.6	39	32
GW502024E	B/S	24	18.0~26.5	0.18	6500	18.68	0.53	0.38	94.6	39	32

Air Flow & Static Pressure Curve



Dimensions Drawing



Above specification is only for reference and subject to change without notice.

以上数据仅供参考, 如有变更恕不另行通知。