



AIR SPACE

直流軸流風扇

www.pudaelec.com

# GW4510 DC AXIAL FAN Series

## □ 45 x 45 x 10 mm

- AUTO (RESTAR)
- PWM
- FG
- RD SIGNAL H
- RD SIGNAL L



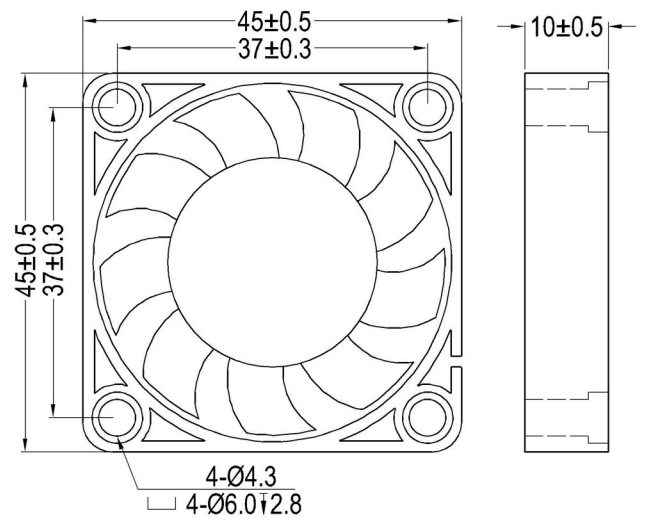
Impeller : 9 blades ,made of plastic PBT UL94 V-0  
 扇 叶: 9叶, PBT塑料制, 阻燃等级UL94 V-0

Frame : Made of plastic PBT UL94 V-0  
 扇 框: PBT塑料制, 阻燃等级UL94 V-0

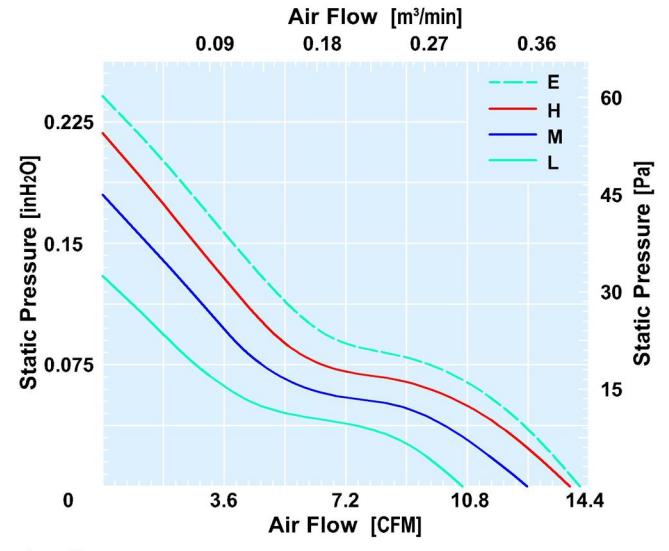
Motor : 4 poles brushless DC motor  
 電 機: 4极无刷直流電機

Model (型号)	Bearing System (轴承)	Rated Voltage (电压) [V]	Voltage Range (电压范围) [V]	Current (电流) [A]	Speed (转速) [RPM]	Maximum Air Flow (风量) [CFM]	Maximum Air Flow (风量) [m³/min]	Max. Static Pressure (静压) [inH <sub>2</sub> O]	Max. Static Pressure (静压) [Pa]	Niose Level (噪音) [dB-A]	Mass (质量) [g]
GW451005L	B/S	5	3.6~6.8	0.14	5000	10.65	0.31	0.13	32.4	30.2	17
GW451012L	B/S	12	6.0~13.5	0.07	5000	10.65	0.31	0.13	32.4	30.2	17
GW451005M	B/S	5	3.6~6.8	0.18	6000	12.53	0.36	0.18	44.8	32.6	17
GW451012M	B/S	12	6.0~13.5	0.08	6000	12.53	0.36	0.18	44.8	32.6	17
GW451005H	B/S	5	3.6~6.8	0.27	6500	13.81	0.39	0.22	54.8	36.5	17.6
GW451012H	B/S	12	6.0~13.5	0.10	6500	13.81	0.39	0.22	54.8	36.5	17.6
GW451012E	B/S	12	6.0~13.5	0.15	7000	14.15	0.41	0.24	59.8	38.4	18
GW451024E	B/S	24	18.0~26.5	0.08	7000	14.15	0.41	0.24	59.8	38.4	18

### Dimensions Drawing



### Air Flow & Static Pressure Curve



Above specification is only for reference and subject to change without notice.  
 以上数据仅供参考, 如有变更恕不另行通知。