

GW4028 DC AXIAL FAN Series

□ 40 x 40 x 28 mm

AUTO
RESTAR

PWM

FG

RD
SIGNAL H

RD
SIGNAL L



Impeller : 5 blades ,made of plastic PBT UL94 V-0

扇 叶: 5叶, PBT塑料制, 阻燃等级UL94 V-0

Frame : Made of plastic PBT UL94 V-0

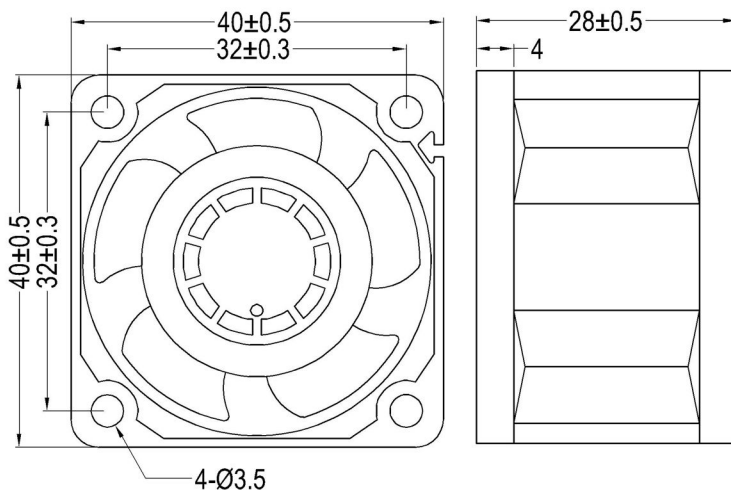
扇 框: PBT塑料制, 阻燃等级UL94 V-0

Motor : 4 poles brushless DC motor

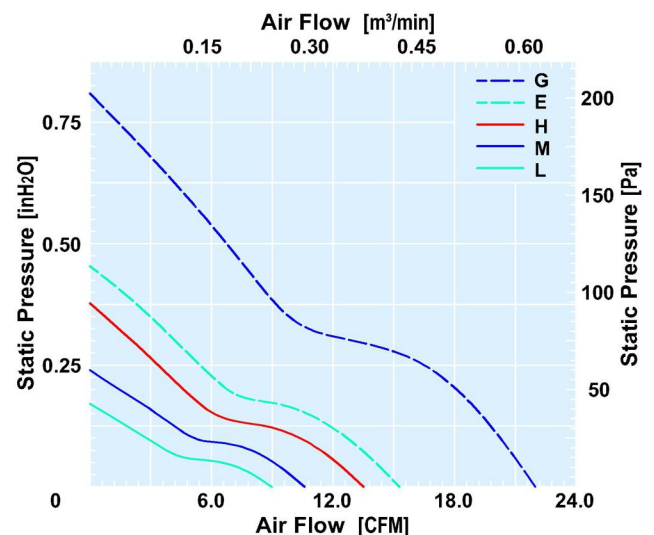
電 機: 4极无刷直流电机

Model (型号)	Bearing System (轴承)	Rated Voltage (电压) [V]	Voltage Range (电压范围) [V]	Current (电流) [A]	Speed (转速) [RPM]	Maximum Air Flow (风量) [CFM]	Maximum Air Flow (风量) [m³/min]	Max. Static Pressure (静压) [inH ₂ O]	Max. Static Pressure (静压) [Pa]	Niose Level (噪音) [dB-A]	Mass (质量) [g]
GW402805L	B/S	5	3.6~6.8	0.25	5500	8.92	0.25	0.17	42.3	23.8	29
GW402812L	B/S	12	6.0~13.5	0.08	5500	8.92	0.25	0.17	42.3	23.8	29
GW402805M	B/S	5	3.6~6.8	0.32	7000	10.60	0.30	0.24	59.8	28.3	29.8
GW402812M	B/S	12	6.0~13.5	0.10	7000	10.60	0.30	0.24	59.8	28.3	29.8
GW402824M	B/S	24	18.0~26.5	0.05	7000	10.60	0.30	0.24	59.8	28.3	29.8
GW402812H	B/S	12	6.0~13.5	0.16	8500	13.53	0.38	0.38	94.6	32.4	30
GW402824H	B/S	24	18.0~26.5	0.08	8500	13.53	0.38	0.38	94.6	32.4	30
GW402812E	B/S	12	6.0~13.5	0.28	10000	15.30	0.43	0.46	114.5	37.6	30
GW402824E	B/S	24	18.0~26.5	0.09	10000	15.30	0.43	0.46	114.5	37.6	30
GW402812G	B/S	12	6.0~13.5	0.40	13000	22.0	0.62	0.81	201.7	48.8	32
GW402824G	B/S	24	18.0~26.5	0.20	13000	22.0	0.62	0.81	201.7	48.8	32

Dimensions Drawing



Air Flow & Static Pressure Curve



Above specification is only for reference and subject to change without notice.
以上数据仅供参考, 如有变更恕不另行通知。