



DC AXIAL FAN

□ 40 x 40 x 20 mm

GW4020 Series



Impeller : 5 blades ,made of plastic PBT UL94 V-0

扇 叶: 5叶, PBT塑料制, 阻燃等级UL94 V-0

Frame : Made of plastic PBT UL94 V-0

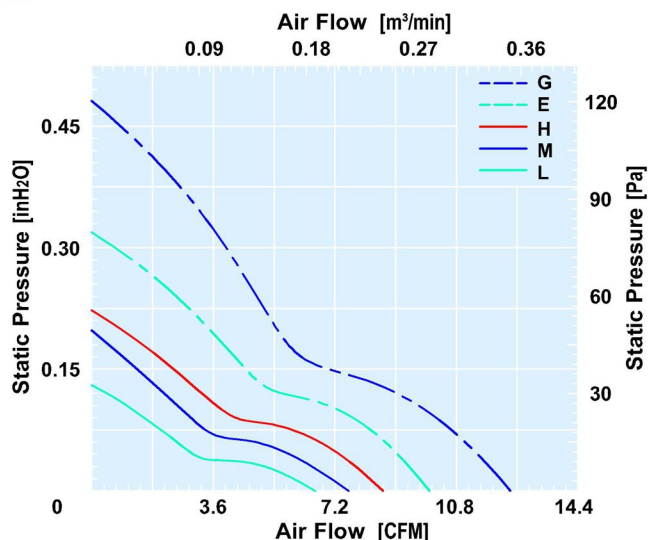
扇 框: PBT塑料制, 阻燃等级UL94 V-0

Motor : 4 poles brushless DC motor

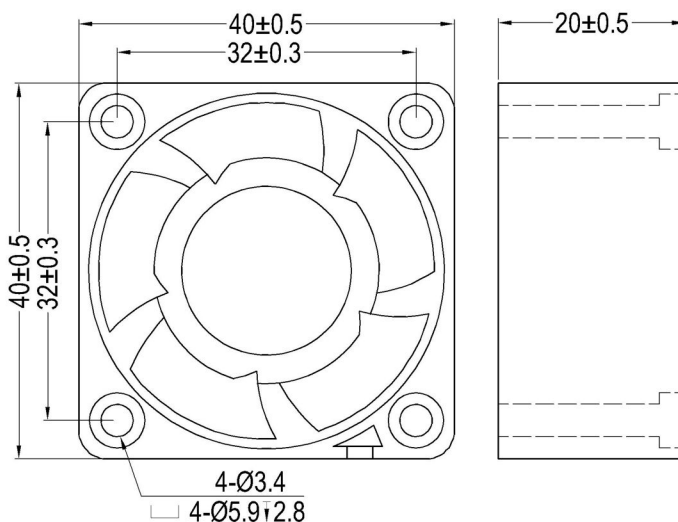
電 機: 4极无刷直流电机

Model (型号)	Bearing System (轴承)	Rated Voltage (电压) [V]	Voltage Range (电压范围) [V]	Current (电流) [A]	Speed (转速) [RPM]	Maximum Air Flow (风量) [CFM]	Maximum Air Flow (风量) [m³/min]	Max. Static Pressure (静压) [inH ₂ O]	Max. Static Pressure (静压) [Pa]	Noise Level (噪音) [dB-A]	Mass (质量) [g]
GW402005L	B/S	5	3.6~6.8	0.13	5500	6.56	0.19	0.13	32.4	25.5	24
GW402012L	B/S	12	6.0~13.5	0.08	5500	6.56	0.19	0.13	32.4	25.5	24
GW402005M	B/S	5	3.6~6.8	0.20	6500	7.41	0.21	0.20	49.8	31.0	25
GW402012M	B/S	12	6.0~13.5	0.11	6500	7.41	0.21	0.20	49.8	31.0	25
GW402024M	B/S	24	18.0~26.5	0.06	6500	7.41	0.21	0.20	49.8	31.0	25
GW402005H	B/S	5	3.6~6.8	0.28	7500	8.63	0.24	0.22	54.8	34.5	25
GW402012H	B/S	12	6.0~13.5	0.15	7500	8.63	0.24	0.22	54.8	34.5	25
GW402024H	B/S	24	18.0~26.5	0.08	7500	8.63	0.24	0.22	54.8	34.5	25
GW402012E	B/S	12	6.0~13.5	0.23	8500	10.0	0.28	0.32	79.7	38.0	26
GW402024E	B/S	24	18.0~26.5	0.10	8500	10.0	0.28	0.32	79.7	38.0	26
GW402012G	B/S	12	6.0~13.5	0.47	12000	12.5	0.35	0.48	119.5	48.0	27
GW402024G	B/S	24	18.0~26.5	0.23	12000	12.5	0.35	0.48	119.5	48.0	27

Air Flow & Static Pressure Curve



Dimensions Drawing



Above specification is only for reference and subject to change without notice.

以上数据仅供参考, 如有变更恕不另行通知。