



DC AXIAL FAN

□ 40 x 40 x 10 mm

GW4010 Series



Impeller : 7 blades ,made of plastic PBT UL94 V-0

扇 叶: 7叶, PBT塑料制, 阻燃等级UL94 V-0

Frame : Made of plastic PBT UL94 V-0

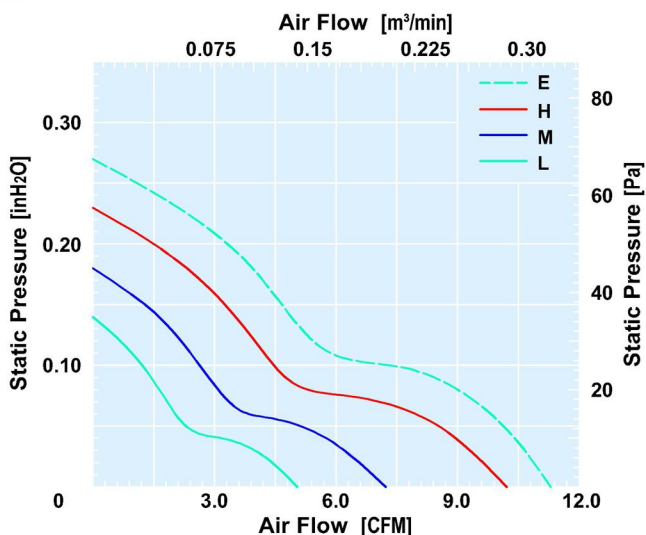
扇 框: PBT塑料制, 阻燃等级UL94 V-0

Motor : 4 poles brushless DC motor

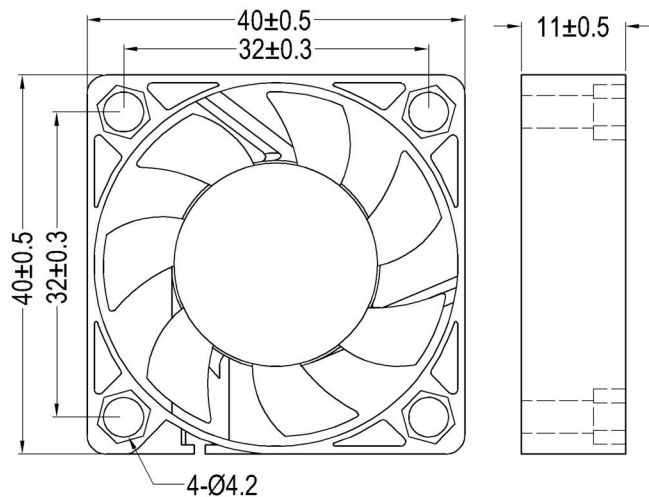
電 機: 4极无刷直流电机

Model (型号)	Bearing System (轴承)	Rated Voltage (电压) [V]	Voltage Range (电压范围) [V]	Current (电流) [A]	Speed (转速) [RPM]	Maximum Air Flow (风量) [CFM]	Maximum Air Flow (风量) [m³/min]	Max. Static Pressure (静压) [inH ₂ O]	Max. Static Pressure (静压) [Pa]	Niose Level (噪音) [dB-A]	Mass (质量) [g]
GW401005L	B/S	5	3.6~6.8	0.12	5500	5.07	0.14	0.14	34.9	24.5	14
GW401012L	B/S	12	6.0~13.5	0.08	5500	5.07	0.14	0.14	34.9	24.5	14
GW401005M	B/S	5	3.6~6.8	0.20	6500	7.24	0.20	0.18	44.8	28.6	14
GW401012M	B/S	12	6.0~13.5	0.12	6500	7.24	0.20	0.18	44.8	28.6	14
GW401012H	B/S	12	6.0~13.5	0.15	7500	10.22	0.29	0.23	57.3	30.5	14.5
GW401024H	B/S	24	18.0~26.5	0.06	7500	10.22	0.29	0.23	57.3	30.5	14.5
GW401012E	B/S	12	6.0~13.5	0.19	8000	11.30	0.32	0.27	67.2	33.4	14.5
GW401024E	B/S	24	18.0~26.5	0.08	8000	11.30	0.32	0.27	67.2	33.4	14.5

Air Flow & Static Pressure Curve



Dimensions Drawing



Above specification is only for reference and subject to change without notice.

以上数据仅供参考, 如有变更恕不另行通知。