



AIR SPACE

直流軸流風扇

www.pudaelec.com

GW4007 Series DC AXIAL FAN

□ 40 x 40 x 7 mm

- AUTO (RESTAR)
- PWM
- FG
- RD SIGNAL H
- RD SIGNAL L



Impeller : 7 blades ,made of plastic PBT UL94 V-0

扇 叶: 7叶, PBT塑料制, 阻燃等级UL94 V-0

Frame : Made of plastic PBT UL94 V-0

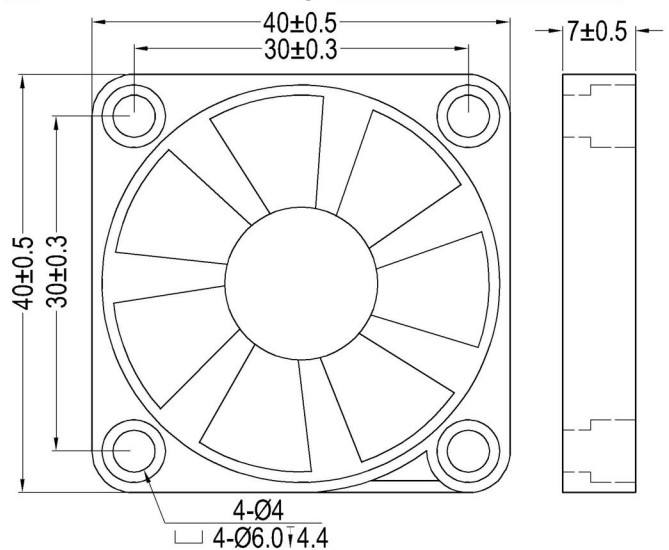
扇 框: PBT塑料制, 阻燃等级UL94 V-0

Motor : 4 poles brushless DC motor

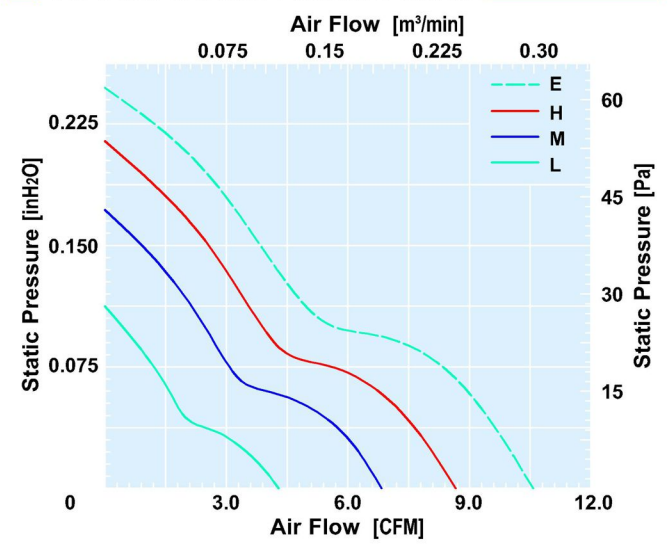
電 機: 4极无刷直流電機

Model (型号)	Bearing System (轴承)	Rated Voltage (电压) [V]	Voltage Range (电压范围) [V]	Current (电流) [A]	Speed (转速) [RPM]	Maximum Air Flow (风量) [CFM]	Maximum Air Flow (风量) [m³/min]	Max. Static Pressure (静压) [inH2O]	Max. Static Pressure (静压) [Pa]	Niose Level (噪音) [dB-A]	Mass (质量) [g]
GW400705L	B/S	5	3.6~6.8	0.12	4500	4.32	0.12	0.11	27.4	20.6	7.8
GW400712L	B/S	12	6.0~13.5	0.04	4500	4.32	0.12	0.11	27.4	20.6	7.8
GW400705M	B/S	5	3.6~6.8	0.18	6000	6.81	0.19	0.17	42.3	24.6	8.0
GW400712M	B/S	12	6.0~13.5	0.06	6000	6.81	0.19	0.17	42.3	24.6	8.0
GW400705H	B/S	5	3.6~6.8	0.22	7000	8.65	0.245	0.215	53.5	27.6	8.2
GW400712H	B/S	12	6.0~13.5	0.08	7000	8.65	0.245	0.215	53.5	27.6	8.2
GW400705E	B/S	5	3.6~6.8	0.25	8000	10.60	0.32	0.253	63.0	31.8	8.5
GW400712E	B/S	12	6.0~13.5	0.10	8000	10.60	0.32	0.253	63.0	31.8	8.5

Dimensions Drawing



Air Flow & Static Pressure Curve



Above specification is only for reference and subject to change without notice.
以上数据仅供参考, 如有变更恕不另行通知。